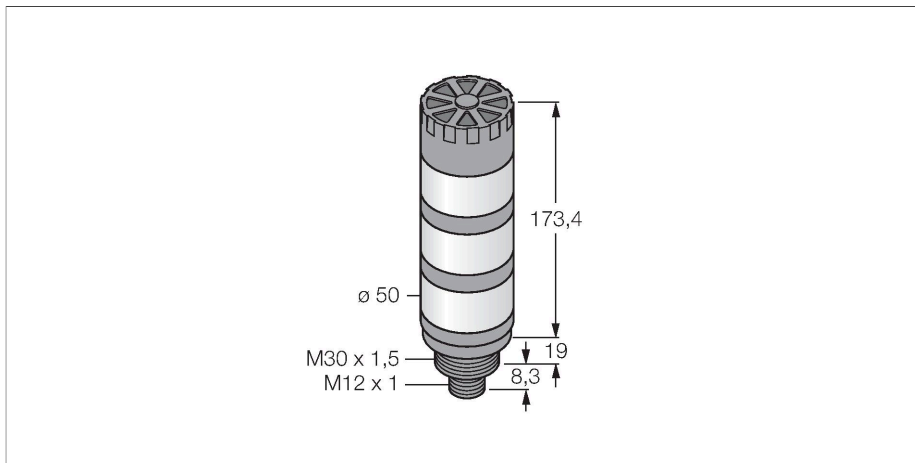


TL50GYRAQ

LED Indicator – Tower Light



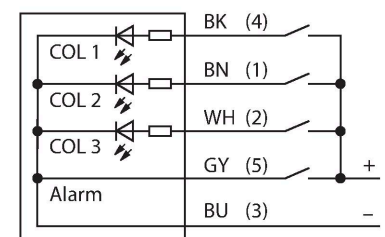
Technical data

| | |
|------------------------------------|------------------------------|
| Type | TL50GYRAQ |
| ID | 3083214 |
| Signal and display data | |
| Purpose | LED indicator light |
| Function | Tower light |
| Light type | Green Yellow Red |
| Dimmable | no |
| Features of color 1 | Green, Permanently on, 23 lm |
| Features of color 2 | Yellow, Permanently on, 5 lm |
| Features of color 3 | Red, Permanently on, 7.5 lm |
| acoustic signal | Continuous tone, 92 dB |
| Electrical data | |
| Operating voltage | 18...30 VDC |
| DC rated operational current | ≤ 45 mA |
| Operating voltage | 21...27 VAC |
| Max. current consumption per color | 45 mA |
| Max. current consumption of beeper | 25 mA |
| Input type | Bipolar (PNP/NPN) |
| Response time typical | < 10 ms |
| Mechanical data | |
| Cascadable | No |
| Design | Smooth barrel, TL50 |
| Dimensions | Ø 50 x 200.8 x 200.8 mm |
| Housing material | Plastic, ABS, Black |
| Window material | Polycarbonate, diffuse |

Features

- Plastic housing, black
- EMI and RFI immune
- Protection class IP50
- M12 x 1 male
- Multicolor: Green (COL 1) / Yellow (COL 2) / Red (COL 3)
- Operating voltage: 18...30 VDC or 24 VAC with 45 mA per LED color
- Inputs: PNP/NPN
- Beeper max. 92 dB

Wiring diagram



Functional principle

The TL50 tower lights provide highly visible status indicators and a clear user guidance within the entire system. They can be assembled from varicolored LEDs and are available with or without beeper. You can mount them directly on machines, in the cabinet or in monitoring locations of production lines.

The wiring diagram shows a PNP pin assignment.

There are 10 colors available blue (B), green (G), red (R), yellow (Y), white (W), turquoise (T), orange (O), violet (V), sky blue (S) and magenta (M), which specify the light sequence from bottom to top in the type code of the tower light. Example: TL50GYRQ, colors green, yellow and red arranged from bottom to top.

Technical data

| | |
|------------------------|-------------------------|
| Electrical connection | Connector, M12 × 1, PVC |
| Number of cores | 5 |
| Ambient temperature | -20...+50 °C |
| Relative humidity | 0...95 % |
| Protection class | IP50 |
| Tests/approvals | |
| Approvals | CE, UL listed |

Accessories

SMB30A 3032723

Mounting bracket, rectangular, stainless steel, for sensors with 30mm thread

SMB30FA 3074005

Montagewinkel; Werkstoff VA 1.4401

SMB30SC 3052521

Mounting bracket, PBT black, for sensors with 30 mm thread, rotatable

Accessories

| Dimension drawing | Type | ID | |
|-------------------|---------------|---------|--|
| | RKC4.5T-2/TEL | 6625016 | Connection cable, female M12, straight, 5-pin, cable length: 2 m, sheath material: PVC, black; cULus approval; other cable lengths and qualities available, see www.turck.com |
| | WKC4.5T-2/TEL | 6625028 | Connection cable, female M12, angled, 5-pin, cable length: 2 m, sheath material: PVC, black; cULus approval; other cable lengths and qualities available, see www.turck.com |