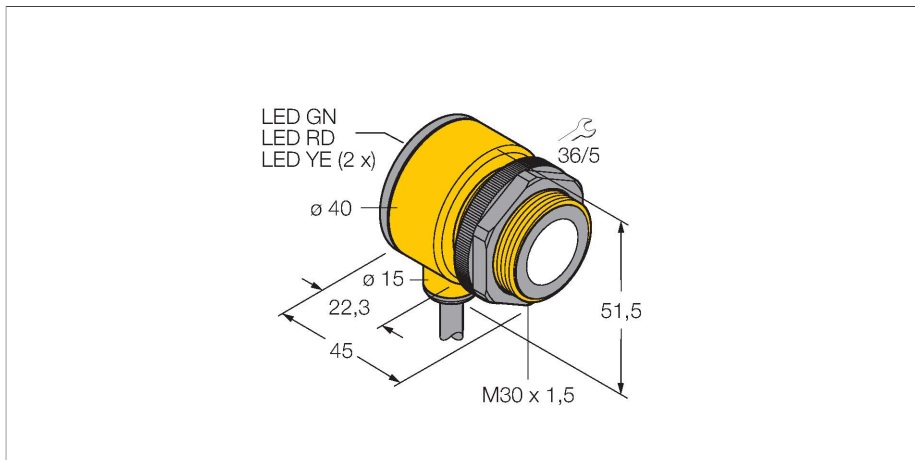


T30UXDB

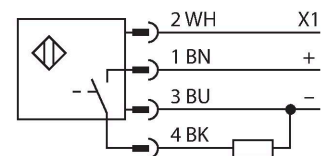
Ultrasonic sensor – diffuse mode sensor



Features

- Compact design
- Cable, 4-pin, 2 m
- Switching output, PNP/NPN adjustable
- NO/NC adjustable
- Integrated temperature compensation
- Switching range adjustable via button or control line
- Blind zone: 20 cm
- Range: 200 cm

Wiring diagram



Functional principle

Ultrasonic sensors detect a multitude of objects contactless and wear-free with ultrasonic waves. Regardless of whether the object is transparent or opaque, metallic or non-metallic, liquid, solid or powdery. Even environmental conditions such as spray, dust or rain hardly affect their function.

Technical data

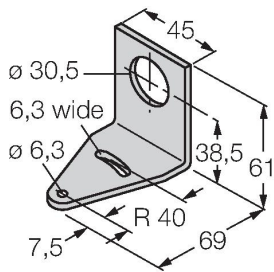
Type	T30UXDB
ID	3079998
Ultrasonic data	
Function	Proximity switch
Range	200...2000 mm
Ultrasound frequency	174 kHz
Repeatability	$\leq \pm 1$ mm
Temperature drift	≤ 0.02 % of full scale/K
Edge lengths of the nominal actuator	100 mm
Electrical data	
Operating voltage	10...30 VDC
Response time typical	< 92 ms
Readiness delay	≤ 500 ms
Output function	NO contact, PNP
Switching frequency	≤ 5 Hz
Hysteresis	≤ 3 mm
Short-circuit protection	yes / Cyclic
Reverse polarity protection	Complete
Wire breakage protection	yes
Mechanical data	
Design	Tube, T30U
Radiation direction	straight
Dimensions	$\varnothing 40 \times 45$ mm
Housing material	Plastic, PBT
Transducer material	Plastic, Epoxyd resin and PU foam
Electrical connection	Cable, 2 m, PVC

Technical data

Ambient temperature	-40...+70 °C
Relative humidity	95 %
Protection class	IP67
Power-on indication	LED
Object detected	LED, Red
Tests/approvals	
Approvals	CE, cULus listed

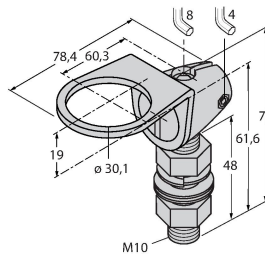
Accessories

SMB30A 3032723



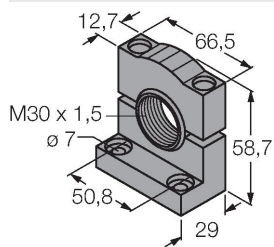
Mounting bracket, rectangular, stainless steel, for sensors with 30mm thread

SMB30FAM10 3011185



Mounting bracket, stainless steel, for M10 x 1.5 thread, thread length 30 mm

SMB30SC 3052521



Mounting bracket, PBT black, for sensors with 30 mm thread, rotatable