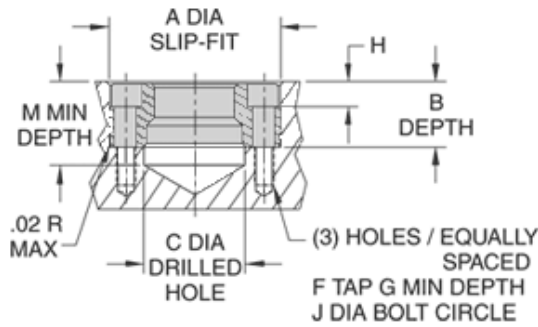


# CARR LOCK® RECEIVER BUSHINGS

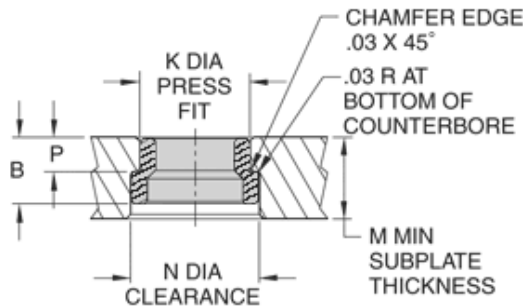


**FACE-MOUNT RECEIVER BUSHINGS (USA PLATE THICKNESSES)**

PART NO.	ID	A DIA		B		C	F	G	H	J DIA	M
		BUSH	HOLE	BUSH	HOLE						
<a href="#">CL-13-CLFR</a>	13mm	1.3750 1.3746	1.3750 1.3755	.455	.469 .471	.688	#8-32	.31	.180	.984	.75
<a href="#">CL-16-CLFR</a>	16mm	1.4370 1.4366	1.4370 1.4375	.455	.469 .471	.812	#8-32	.31	.193	1.125	.75
<a href="#">CL-20-CLFR</a>	20mm	1.6873 1.6869	1.6873 1.6878	.623	.637 .639	.812	#10-32	.38	.273	1.362	.83
<a href="#">CL-25-CLFR</a>	25mm	2.0623 2.0619	2.0623 2.0628	.785	.799 .801	1.000	1/4-28	.50	.316	1.644	1.00
<a href="#">CL-30-CLFR</a>	30mm	2.2654 2.2650	2.2654 2.2659	.857	.871 .873	1.188	1/4-28	.75	.316	1.876	1.23
<a href="#">CL-35-CLFR</a>	35mm	2.6873 2.6869	2.6873 2.6878	.890	.904 .907	1.562	5/16-24	.88	.375	2.178	1.28
<a href="#">CL-50-CLFR</a>	50mm	3.4998 3.4994	3.4998 3.5003	1.225	1.239 1.241	2.156	3/8-24	1.00	.475	2.916	1.80

**FACE-MOUNT RECEIVER BUSHINGS (METRIC PLATE THICKNESSES)**

PART NO.	ID	A DIA		B		C	F	G	H	J DIA	M
		BUSH	HOLE	BUSH	HOLE						
<a href="#">CLM-13-CLFR</a>	13mm	1.3776 1.3772	1.3790 1.3783	.456	.468 .470	.531	M4	.39	.177	.984	.78
<a href="#">CLM-16-CLFR</a>	16mm	1.4563 1.4559	1.4567 1.4570	.456	.468 .470	.827	M4	.39	.177	1.142	.78
<a href="#">CLM-20-CLFR</a>	20mm	1.7713 1.7709	1.7717 1.7720	.623	.637 .639	.827	M5	.47	.236	1.378	.78
<a href="#">CLM-25-CLFR</a>	25mm	2.1650 2.1646	2.1654 2.1657	.785	.799 .801	1.004	M6	.59	.276	1.654	.98



**BACK-MOUNT RECEIVER BUSHINGS (USA PLATE THICKNESSES)**

PART NO.	ID	B	K DIA		M	N DIA		P
			BUSH	HOLE		BUSH	HOLE	
<a href="#">CL-13-CLBR</a>	13mm	.475	.7870 .7866	Actual Bushing K dia -.0001 -.0005	.75	.984	.995 1.005	.277 .275
<a href="#">CL-16-CLBR</a>	16mm	.475	.8760 .8756		.75	1.125	1.150 1.160	.285 .283
<a href="#">CL-20-CLBR</a>	20mm	.673	1.0950 1.0946		.83	1.250	1.275 1.285	.345 .343
<a href="#">CL-25-CLBR</a>	25mm	.826	1.3763 1.3759		1.00	1.562	1.588 1.598	.416 .414
<a href="#">CL-30-CLBR</a>	30mm	.857	1.6264 1.6260		1.23	1.875	1.901 1.911	.432 .430
<a href="#">CL-35-CLBR</a>	35mm	.990	1.8764 1.8760		1.28	2.125	2.150 2.160	.493 .491
<a href="#">CL-50-CLBR</a>	50mm	1.225	2.6269 2.6265		1.80	2.937	2.963 2.973	.621 .619

**BACK-MOUNT RECEIVER BUSHINGS (METRIC PLATE THICKNESSES)**

PART NO.	ID	B	K DIA		M	N DIA		P
			BUSH	HOLE		BUSH	HOLE	
<a href="#">CLM-13-CLBR</a>	13mm	.476	.7890 .7886	Actual Bushing K dia -.0001 -.0005	.78	.984	1.019 1.029	.273 .271
<a href="#">CLM-16-CLBR</a>	16mm	.476	.8677 .8673		.78	1.125	1.137 1.147	.286 .284
<a href="#">CLM-20-CLBR</a>	20mm	.673	1.1039 1.1035		.78	1.2668	1.294 1.304	.345 .343
<a href="#">CLM-25-CLBR</a>	25mm	.826	1.3795 1.3791		.98	1.583	1.609 1.619	.416 .414



en\_254