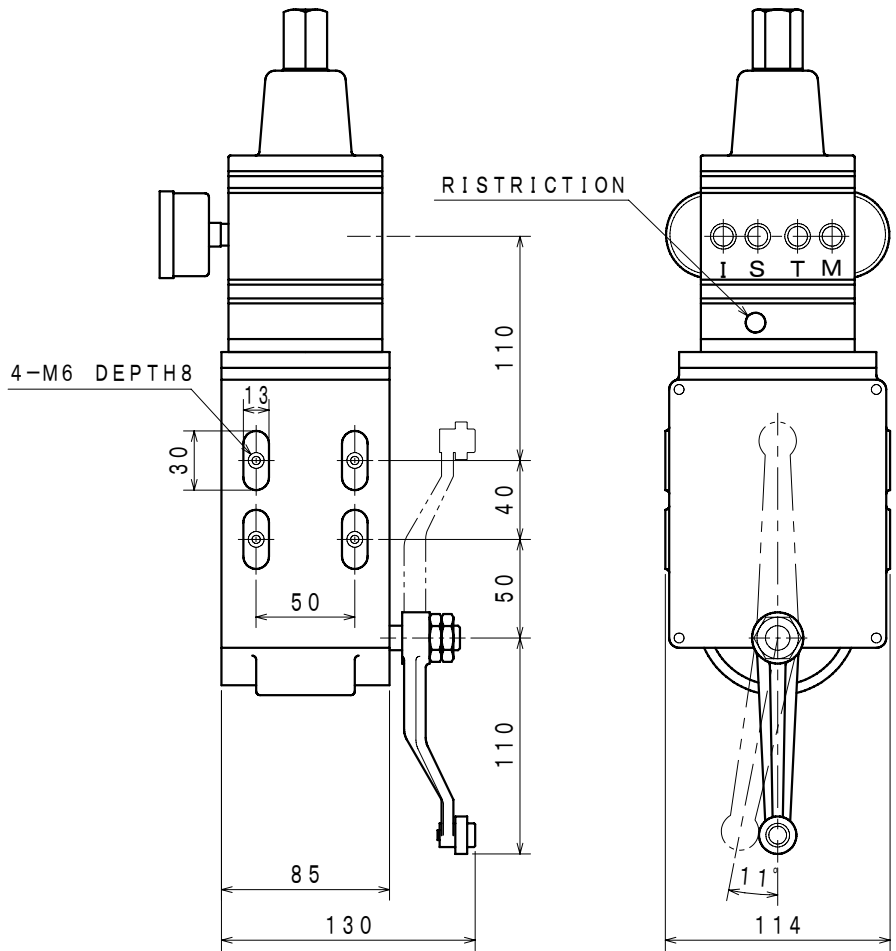
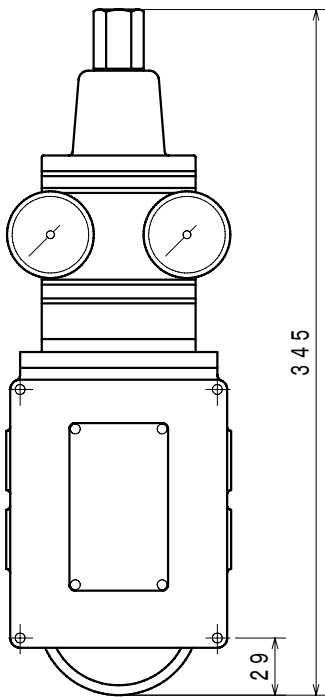
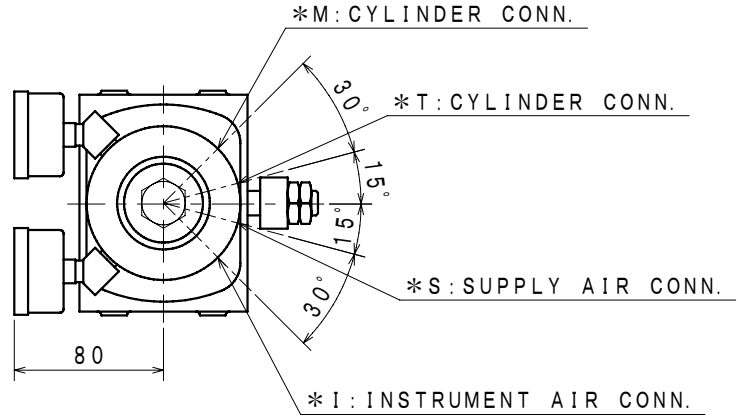


DIMENSION DRAWING



STANDARD SPECIFICATIONS

SUPPLY AIR PRESSURE: 2.0 kgf/cm²
 MOTION CHARACTERISTIC : LINEAR
 MATERIAL : ALUMINIUM-ALLOY (PILOT)
 CAST IRON (CASE)
 AMBIENT TEMPERATURE: 0 TO+70° C
 WEIGHT : 6.2 kg
 CASE-FINISH/COLOR : MELAMINE PAINT/BLACK
 *PIPING CONN. : Rc1/4 FEMALE

MODEL	INPUT SIGNAL
GOP-1	0.2-1.0 kgf/cm ²
GOP-2	0.2-0.6 kgf/cm ²
GOP-3	0.6-1.0 kgf/cm ²
GOP-9	OTHERS

INPUT SIGNAL SHALL BE SHOWN IN SPEC SHEET.

UNIT : mm

CAM TYPE G-O-PILOT

MODEL NO.

GOP

Azbil Corporation

DATE MAY. 17. '02
 REF.

DRAWING NO.
 EV-7709-K000

1 1/4-6-12 (C-2) 0000E-4/15/14/3
 5 4 2
 P E U