

Chains & sprockets	Wear strips	Side guide brackets & accessories	Levelers	Engineering manual
Modular belts & sprockets	Chain & belt return systems	Frame & structure supports	Bearing supports	
Curves & tracks	Side guide solutions	Miscellaneous products	Equipment	

**1 1 2 3 0 a**

## 877 TAB - 878 TAB - 879 TAB - 880 TAB

### SIDEFLEXING CHAINS WITH TAB

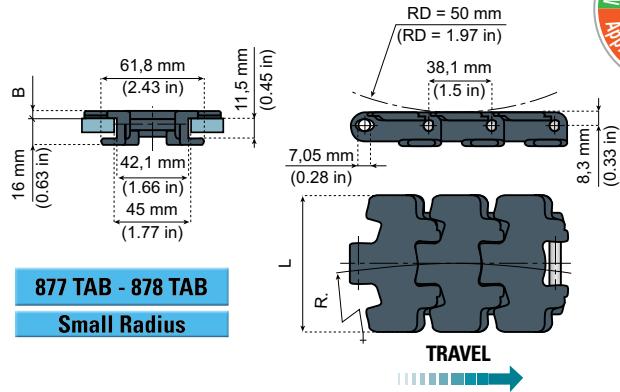


**NG® evo conveyor components**  
**made from engineered plastic resin**  
 Longer wearlife than acetal  
 Lower friction than acetal  
 Good chemical resistance  
 High abrasion resistance  
 It meets the requirement for materials as stated by EC1935/2004 and FDA CFR21 norms for direct food contact  
 Less dust than with acetal chains  
 More.....



Corner disk

**1 1 2 7 0 a**



**877 TAB - 878 TAB**

**Small Radius**



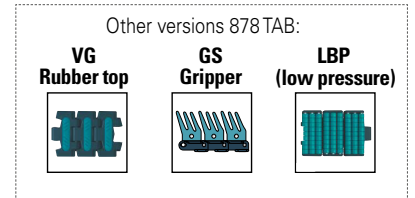
#### Characteristics:

The new 878 TAB series enables the designer and the manufacturer of sideflexing conveyors to reduce the radius of the curves. This chain is suitable for solving conveying problems in confined spaces. Can also be used where products are conveyed on an incline or decline and accumulation may occur. The characteristics of this chain make this product unique in its design.

**Pin material:** Austenitic steel.

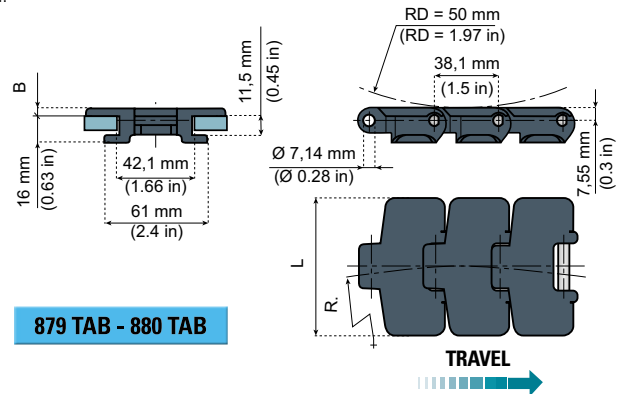
#### Advantages:

- Small sideflexing radius R=190 mm (877 TAB and 878 TAB only).
- Tangential engagement.
- Specially shaped flights to improve the contact between the product and chain.
- Small gap between flights for high product stability.



**Nolu®-S curves**

are strongly recommended with these chains!



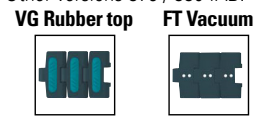
**879 TAB - 880 TAB**



See also the sprockets and idler wheels:

**1 1 2 6 0 a**

Other versions 879 / 880 TAB:



#### Note:

The 879 TAB series has a top plate of 4,8 mm giving long wear life. It also simplifies conveyor design when matching chains from the series 821, 831, 8257 and 882.

**Pin material:** Austenitic steel

ITEM DESCRIPTION	MATERIAL PLATE	BREAKING LOAD		WIDTH L		B THICKNESS		R MIN.		WEIGHT	
		N	lbs	mm	in	mm	in	mm	in	Kg/m	lbs/ft.
LF877TAB-K325	LF Brown	6000	1350	82,5	3 ¼	4	0.16	190	7.5	1,0	0.7
<b>LF878TAB-K325</b>	LF Brown	6000	1350	82,5	3 ¼	4,8	0.19	190	7.5	1,1	0.7
LF878TAB-K450				114,3	4 ½					1,2	0.8
NGE879TAB-K325	NGE Grey Blue	5400	1200	82,5	3 ¼	4,8	0.19	500	19.7	1,0	0.7
NGE879TAB-K450				114,3	4 ½					1,1	0.8
LF879TAB-K325	LF Brown	6000	1350	82,5	3 ¼	4,8	0.19	500	19.7	1,0	0.7
LF879TAB-K450				114,3	4 ½					1,1	0.8
NGE880TAB-K325	NGE Grey Blue	5400	1200	82,5	3 ¼	4	0.16	500	19.7	1,0	0.6
NGE880TAB-K330				83,8	3 19/64					1,0	0.6
NGE880TAB-K350				88,9	3 ½					1,0	0.7
NGE880TAB-K450				114,3	4 ½					1,1	0.7
LF880TAB-K325	LF Brown	6000	1350	82,5	3 ¼	4	0.16	500	19.7	1,0	0.6
LF880TAB-K330				83,8	3 19/64					1,0	0.6
LF880TAB-K350				88,9	3 ½					1,0	0.7
LF880TAB-K450				114,3	4 ½					1,1	0.7

Standard length: 80 pitches (10 ft. - 3,05 m)

Breaking load according to standard ISO 4348 - DIN 8153