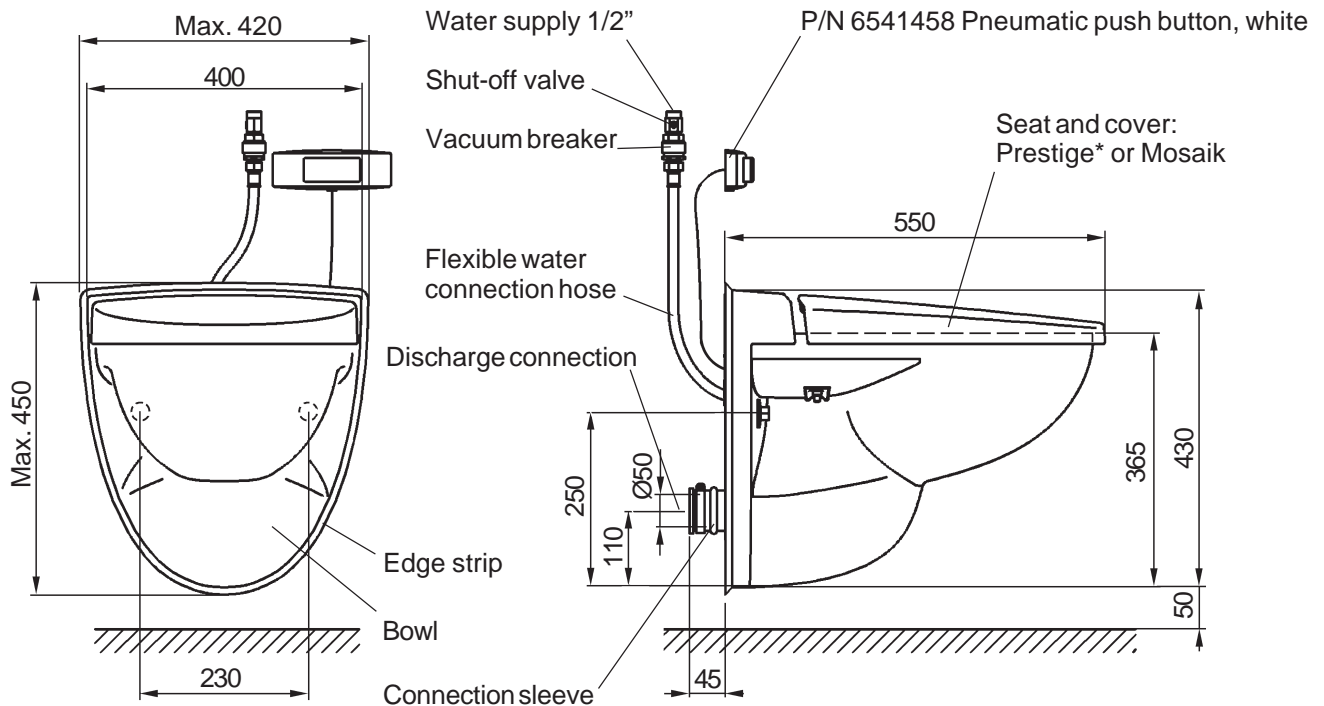


VACUUM TOILET

6543418 EVAC 910, WALL MODEL, PRESTIGE SILENT, WHITE

6543419 EVAC 910, WALL MODEL, MOSAIK, WHITE



* Prestige seat and cover fulfill ANSI Z124.5 - 1997 [Plastic Toilet (Water closet) Seats] requirements.

** See available colours in document 002003-2

Materials

Bowl: White vitreous china**
 Seat; *Prestige: UF-S**, Mosaik: PP**
 Cover; *Prestige: UF-S **, Mosaik: PP**
 Pneumatic push button: White plastic, ABS
 Discharge valve; plastic parts: PP, rubber parts: NR

Operating data

Water pressure: 3 - 10 bar
 Operating vacuum: -0.3 ... - 0.6 bar
 Water consumption: ~1.2 ±0.15 litres/flush (water pressure: 4 bar, vacuum: -0.4 bar)
 Air consumption: ~60 ±10 litres/flush (normal atmospheric air)

Connections

Water supply: 1/2" MPT, flexible hose
 Discharge: Discharge connection Ø50, connection sleeve includes two hose clamps to O.D. 48 - 52mm pipes

Shipping data

P/N 6543418 Evac 910, wall model, Prestige Silent:
 Net weight: 20.8 kg
 Shipping weight: 23.1 kg
 Shipping volume: 0.168m³

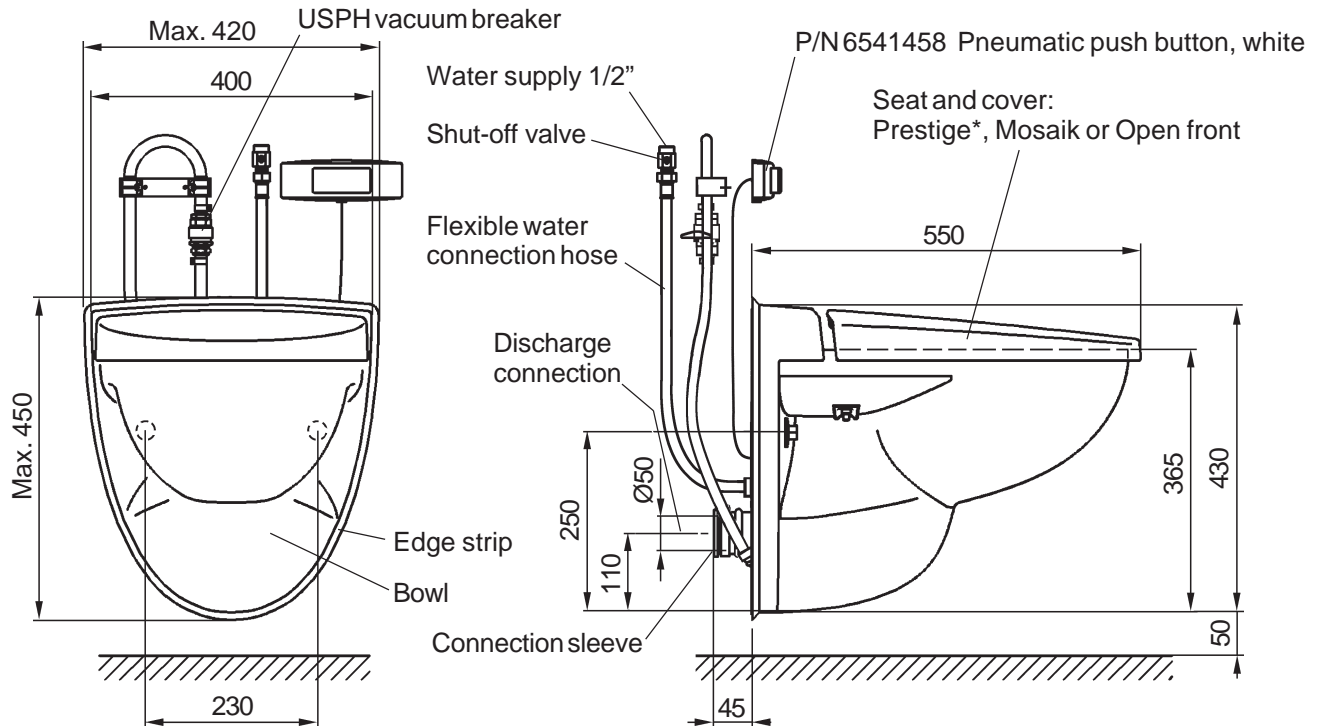
P/N 6543419 Evac 910, wall model, Mosaik:
 Net weight: 17.7 kg
 Shipping weight: 19.7 kg

VACUUM TOILET

6543420 EVAC 910, WALL MODEL USPH, PRESTIGE SILENT, WHITE

6543421 EVAC 910, WALL MODEL USPH, MOSAIK, WHITE

6544766 EVAC 910, WALL MODEL USPH, OPEN FRONT, WHITE



* Prestige seat and cover fulfill ANSI Z124.5 - 1997 [Plastic Toilet (Water closet) Seats] requirements.

** See available colours on document 002003-2.

Materials

Bowl: White vitreous china**

Seat; *Prestige: UF-S**, Mosaik: PP**, Open front: UF-S**

Cover; *Prestige: UF-S**, Mosaik: PP**, Open front: UF-S**

Pneumatic push button: White plastic, ABS

Discharge valve; plastic parts: PP, rubber parts: NR

Operating data

Water pressure: 3 - 10 bar

Operating vacuum: -0.3 ... - 0.6 bar

Water consumption: ~1.2 ±0.15 litres/flush (water pressure: 4 bar, vacuum: -0.4 bar)

Air consumption: ~ 60 ±10 litres/flush (normal atmospheric air)

Connections

Water supply with USPH: 1/2" MPT, flexible hose

Discharge: Discharge connection Ø50, connection sleeve includes two hose clamps to O.D. 48 - 52mm pipes

Shipping data

P/N 6543420 EVAC 910, wall model USPH, Prestige Silent:

Net weight: 21.6 ±0.5kg

Shipping weight: 25.1 ±0.5kg

Shipping volume: 0.168m³

P/N 6543421 EVAC 910, wall model USPH, Mosaik:

Net weight: 18.6 ±0.5kg

Shipping weight: 20.6 ±0.5kg

Shipping volume: 0.168m³

P/N 6544766 EVAC 910, wall model USPH, Open front:

Net weight: 20.4 ±0.5kg

Shipping weight: 22.9 ±0.5kg

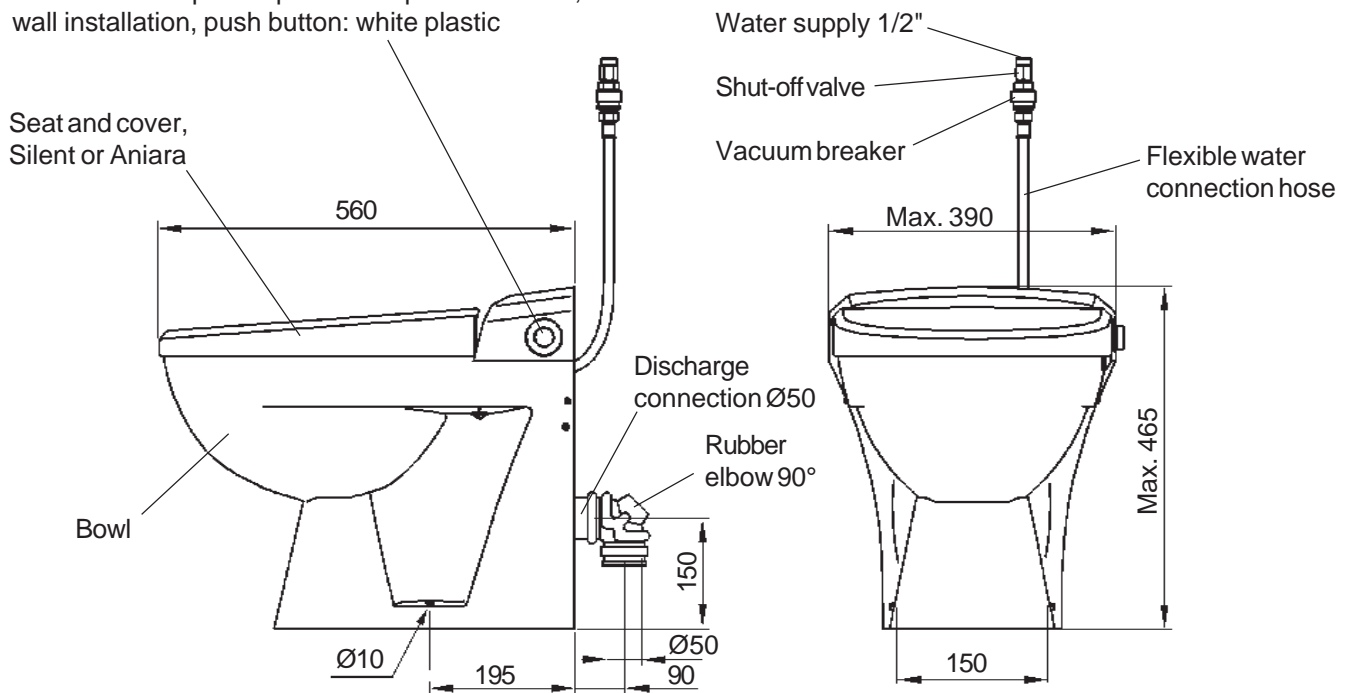
Shipping volume: 0.168m³

VACUUM TOILET

6545825 EVAC 910, FLOOR MODEL, SILENT (EVACINHUSH), WHITE

6545826 EVAC 910, FLOOR MODEL, ANIARA, WHITE

P/N 6544996 Pneumatic push button

 P/N 6541057 Optional pneumatic push button kit,
wall installation, push button: white plastic


Materials

Bowl: White vitreous china *
 Seat; Silent: PP*, Aniara: PP*
 Cover; Silent: PP*, Aniara: PP*
 Pneumatic push button: Plastic
 Discharge valve: Plastic parts: PP, rubber parts: NR

* See available colours in document 002003-2

Operating data

Water pressure: 3 ... 10 bar
 Operating vacuum: -0.3 ... -0.5 bar
 Water consumption: ~1.2 ± 0.15 litres/flush (water pressure: 4 bar, vacuum: -0.4 bar)
 Air consumption: ~ 60 ± 10 litres/flush (normal atmospheric air)

Connections

Water supply: 1/2" MPT, flexible hose
 Discharge: Rubber elbow 90°, two hose clamps are included in the rubber elbow 90° to O.D. 48 - 52mm pipe.

Shipping data

P/N 6545825 EVAC 910, floor model, Silent:
 Net weight: 22.6 ± 0.5kg
 Shipping weight: 24.6 ± 0.5kg
 Shipping volume: 0.168m³

P/N 6545826 EVAC 910, floor model, Aniara:
 Net weight: 20.7 ± 0.5kg
 Shipping weight: 19.4 ± 0.5kg
 Shipping volume: 0.168m³

VACUUM TOILET

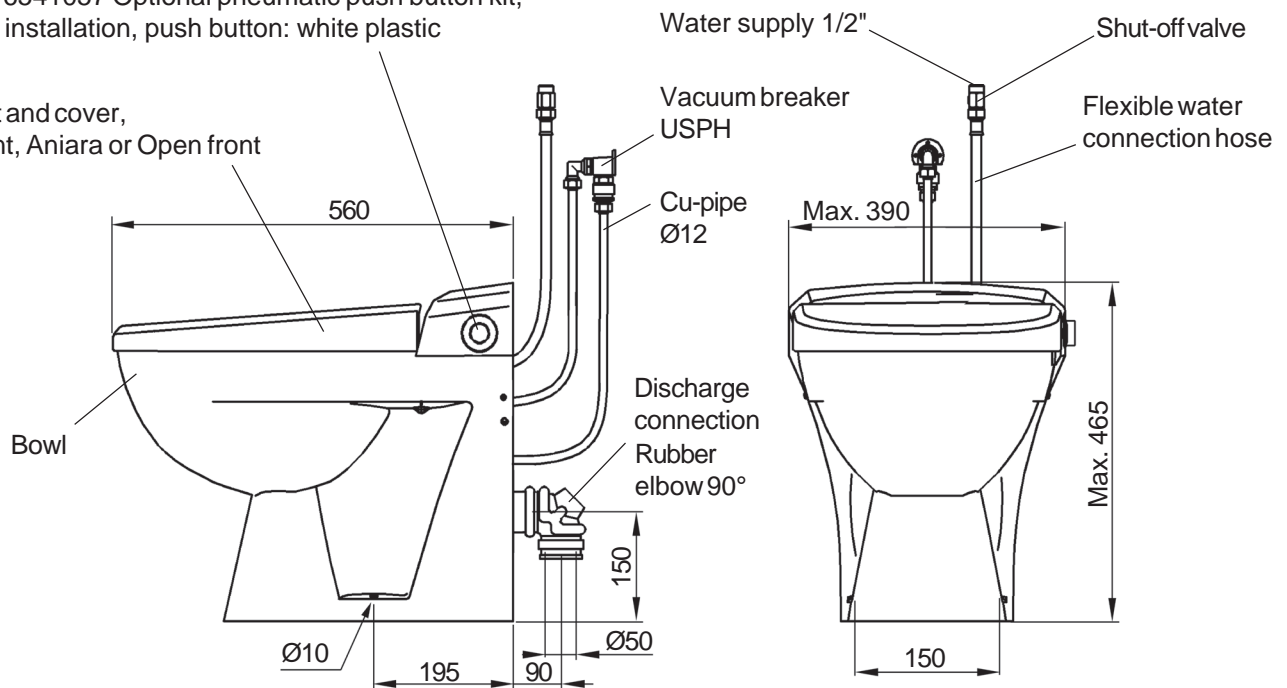
6545827 EVAC 910, FLOOR MODEL USPH, SILENT (EVACINHUSH), WHITE

6545828 EVAC 910, FLOOR MODEL USPH, ANIARA, WHITE

6545829 EVAC 910, FLOOR MODEL USPH, OPEN FRONT, WHITE

P/N 6544996 Pneumatic push button

 P/N 6541057 Optional pneumatic push button kit,
wall installation, push button: white plastic

 Seat and cover,
Silent, Aniara or Open front


Materials

Bowl: White vitreous china*
 Seat; Silent: PP*, Aniara: PP*, Open front: UF-S*
 Cover; Silent: PP*, Aniara: PP*, Open front: UF-S*
 Pneumatic push button: Plastic
 Discharge valve: Plastic parts: PP, rubber parts: NR

* See available colours on document 002003-2

Operating data

Water pressure: 3 ... 10 bar
 Operating vacuum: -0.3 ... -0.50 bar
 Water consumption: 1.2 ±0.15 litres/flush (water pressure: 4 bar, vacuum: -0.4 bar)
 Air consumption: 60 ±10 litres/flush (normal atmospheric air)

Connections

Water supply: 1/2" MPT, flexible hose
 Discharge: Rubber elbow 90°, two hose clamps are included in the rubber elbow 90° to O.D. 48-52mm pipe.

Shipping data

P/N 6545827 EVAC 910, floor model USPH, Silent:

Net weight: 23.6 ±0.5kg
 Shipping weight: 25.6 ±0.5kg
 Shipping volume: 0.168m³

P/N 6545828 EVAC 910, floor model USPH, Aniara:

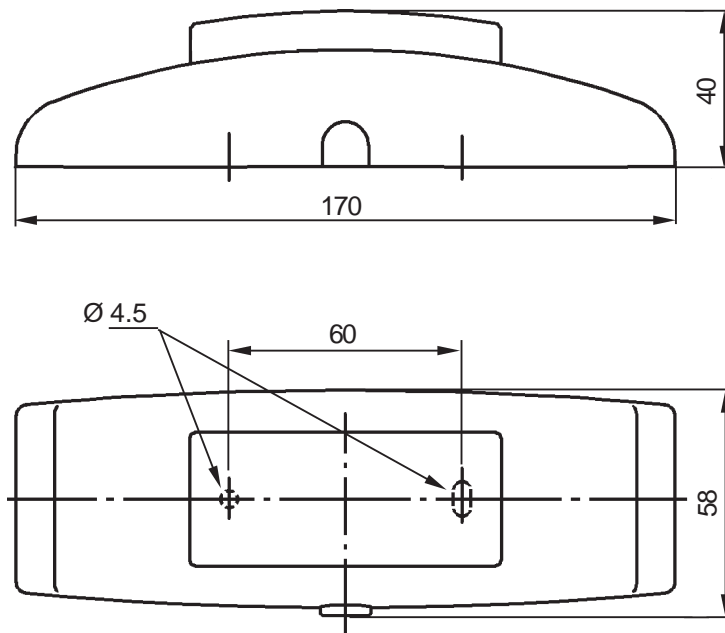
Net weight: 21.7 ±0.5kg
 Shipping weight: 23.7 ±0.5kg
 Shipping volume: 0.168m³

P/N 6545829 EVAC 910, floor model USPH, Open front:

Net weight: 23.6 ±0.5kg
 Shipping weight: 25.6 ±0.5kg
 Shipping volume: 0.168m³

VACUUM TOILET

6541458 PNEUMATIC PUSH BUTTON, WHITE



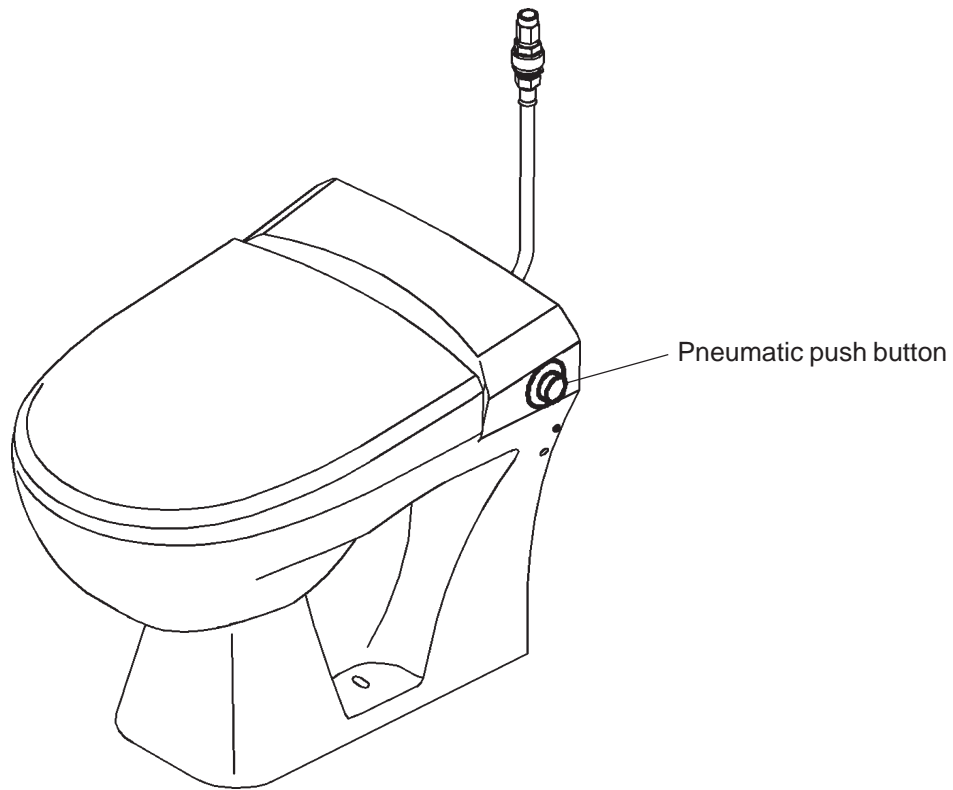
Materials Cover: ABS, white
 Button: PBT, white
 Bottom plate: POM, natural

Connections Hose nipple Ø4

Shipping data Net weight: 0.2kg

VACUUM TOILET

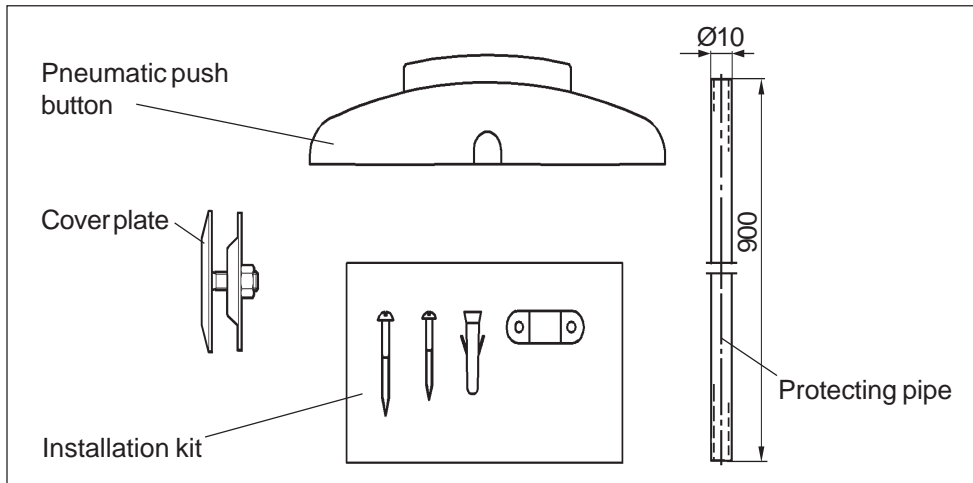
6544996 PNEUMATIC PUSH BUTTON



Materials	Push button: Plastic
Connections	Hose nipple Ø4/Ø2
Shipping data	Net weight: 0.05kg

VACUUM TOILET

6541057 OPTIONAL PNEUMATIC PUSH BUTTON KIT

**Materials**

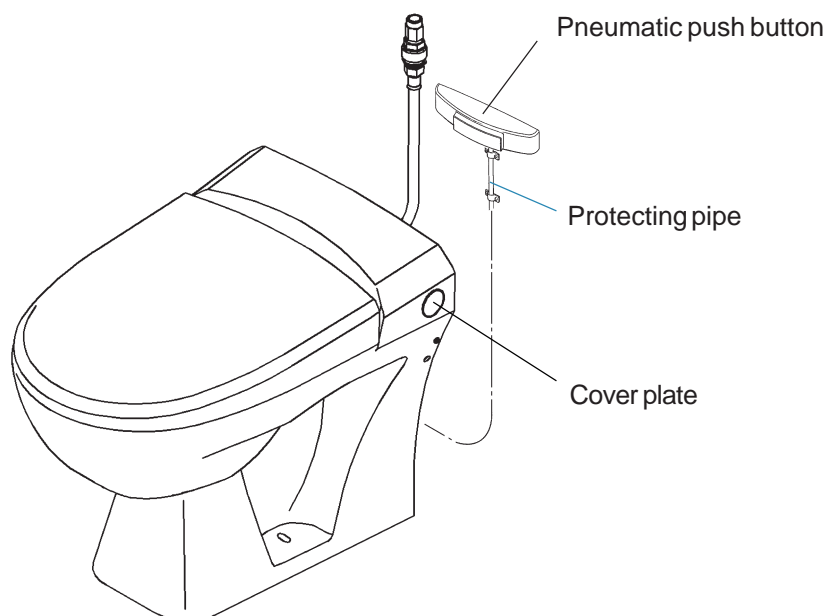
Pneumatic push button, cover and button: White plastic
Cover plate: Nickel-plated brass
Protecting pipe: White color PVC

Connections

Hose nipple $\varnothing 4/\varnothing 2$

Shipping data

Net weight: 0.2kg





VACUUM TOILET

STANDARD COLOURS, EVAC 910, WALL MODELS AND FLOOR MODELS

COLOURS FOR WALL MODEL TOILETS

Product no.	Toilet name	Toilet bowl		Seat and cover		
		Standard colour code		Standard colour code		Additional colours*
			min. 250 pcs/order		min.1000 pcs/order	min.1000 pcs/order
6543418	Wall model, Prestige Silent	01 white		01 white		X
6543419	Wall model, Mosaik	01 white		01 white		
6543420	Wall model, USPH, Prestige Silent	01 white		01 white		X
6543421	Wall model, USPH, Mosaik	01 white		01 white		
6544766	Wall model, USPH, Open front	01 white		01 white		
6544791	Wall model, USPH, Prestige Silent, autoflush	01 white		01 white		X
6544792	Wall model, USPH, Prestige Silent, autoflush		10 Light grey		10 Light grey	X
			30 Light green		30 Light green	
			68 Pergamon, light beige		68 Pergamon, light beige	
6544793	Wall model, Prestige Silent		10 Light grey		10 Light grey	X
			30 Light green		30 Light green	
			68 Pergamon, light beige		68 Pergamon, light beige	
6544794	Wall model, USPH, Prestige Silent		10 Light grey		10 Light grey	X
			30 Light green		30 Light green	
			68 Pergamon, light beige		68 Pergamon, light beige	
6545030	Wall model, B15, Prestige Silent	01 white		01 white		X
6545031	Wall model, USPH, B15, Prestige Silent	01 white		01 white		X
6545818	Wall model, USPH, Prestige Silent, autoflush	01 white		01 white		X
6546081	Wall model, USPH, Prestige Silent, autoflush		10 Light grey		10 Light grey	X
			30 Light green		30 Light green	
			68 Pergamon, light beige		68 Pergamon, light beige	

COLOURS FOR FLOOR MODEL TOILETS

Product no.	Toilet name	Toilet bowl		Seat and cover		
		Standard colour code		Standard colour code		Additional colours*
			min. 250 pcs/order		min.1000 pcs/order	min.1000 pcs/order
6543422	Floor model, Silent	01 white		01 white		X
6543423	Floor model, Aniara	01 white		01 white		
6543424	Floor model, USPH, Silent	01 white		01 white		X
6543425	Floor model, USPH, Aniara	01 white		01 white		
6544797	Floor model, USPH, Open front	01 white		01 white		
6545825	Floor model, Silent	01 white		01 white		X
6545826	Floor model, Aniara	01 white		01 white		
6545827	Floor model, USPH, Silent	01 white		01 white		X
6545828	Floor model, USPH, Aniara	01 white		01 white		
6545829	Floor model, USPH, Open front	01 white		01 white		

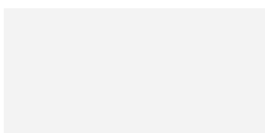
Bowl, seat and cover are available in white and in standard colours. Standard colours are shown in the standard colour palette.

! NOTE: Evac 910 vacuum toilets with the Mosaik, Aniara or Open front seats and covers are available only in white colour.

When you order a toilet in standard colour you must give the toilet's part number, the name and the standard colour code. Example: 6544794 Wall model USPH, Prestige Silent, 30 Light green.

* You can order the Prestige and the Silent seats and covers in additional colours only in large series. When you order seat and cover in additional colours you must give an international colour code like the Muncell or RAL.

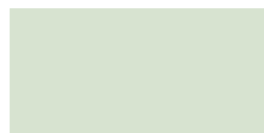
Standard colour palette



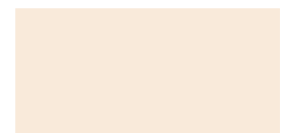
01 White



10 Light grey



30 Light green

68 Pergamon,
light beige

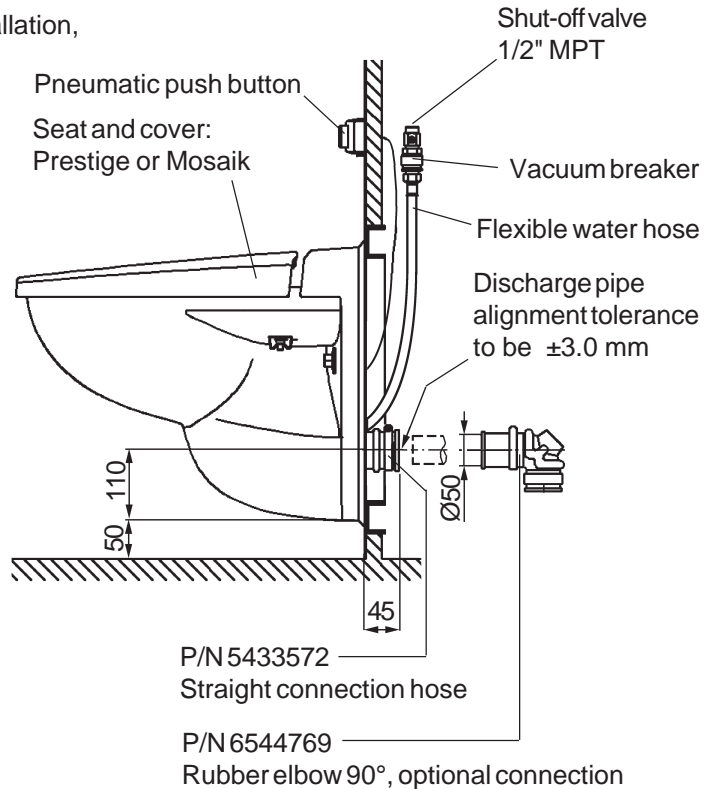
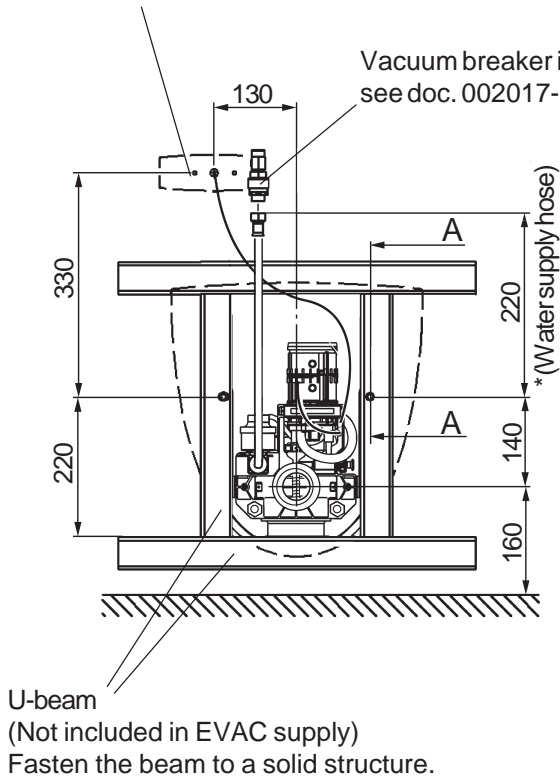


VACUUM TOILET

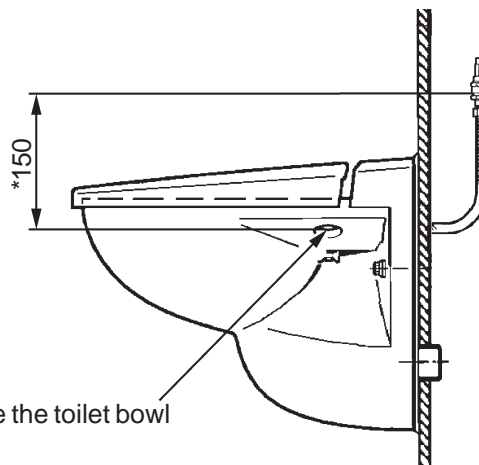
6543418 EVAC 910, WALL MODEL, PRESTIGE SILENT

6543419 EVAC 910, WALL MODEL, MOSAIK

! NOTE: Recommended place for the button.
If place is changed, consult EVAC.



Overflow point



! NOTE: Overflow point is inside the toilet bowl

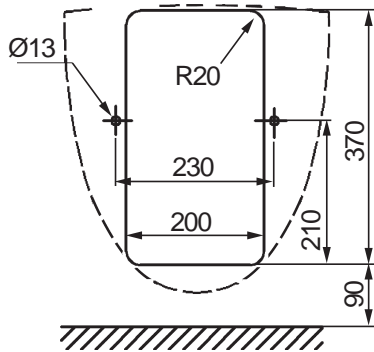
* The vacuum breaker air inlet must be located at a minimum of 150mm (6") above the overflow point of the toilet.

VACUUM TOILET

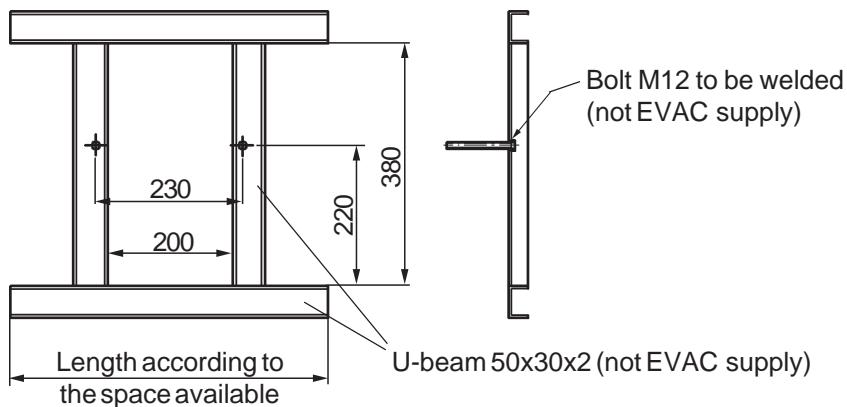
6543418 EVAC 910, WALL MODEL, PRESTIGE SILENT

6543419 EVAC 910, WALL MODEL, MOSAIK

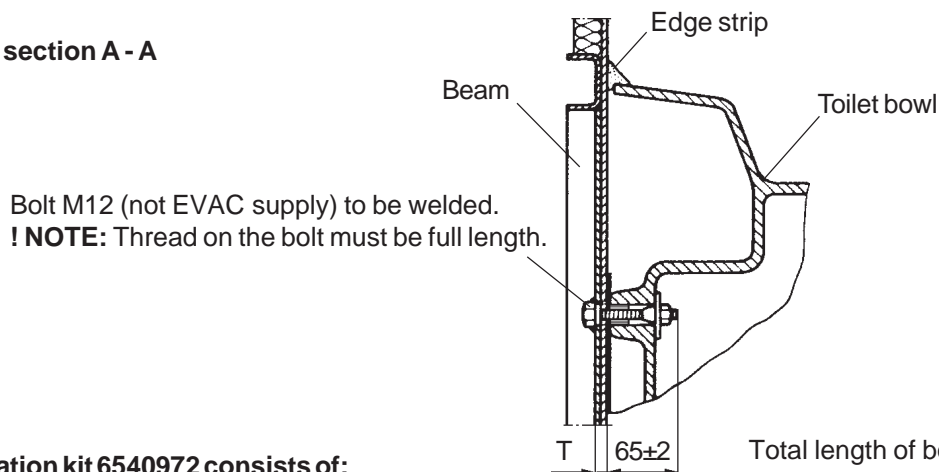
Dimensions of toilet service opening through the wall



Toilet supporting beams for wall models



Cross section A - A



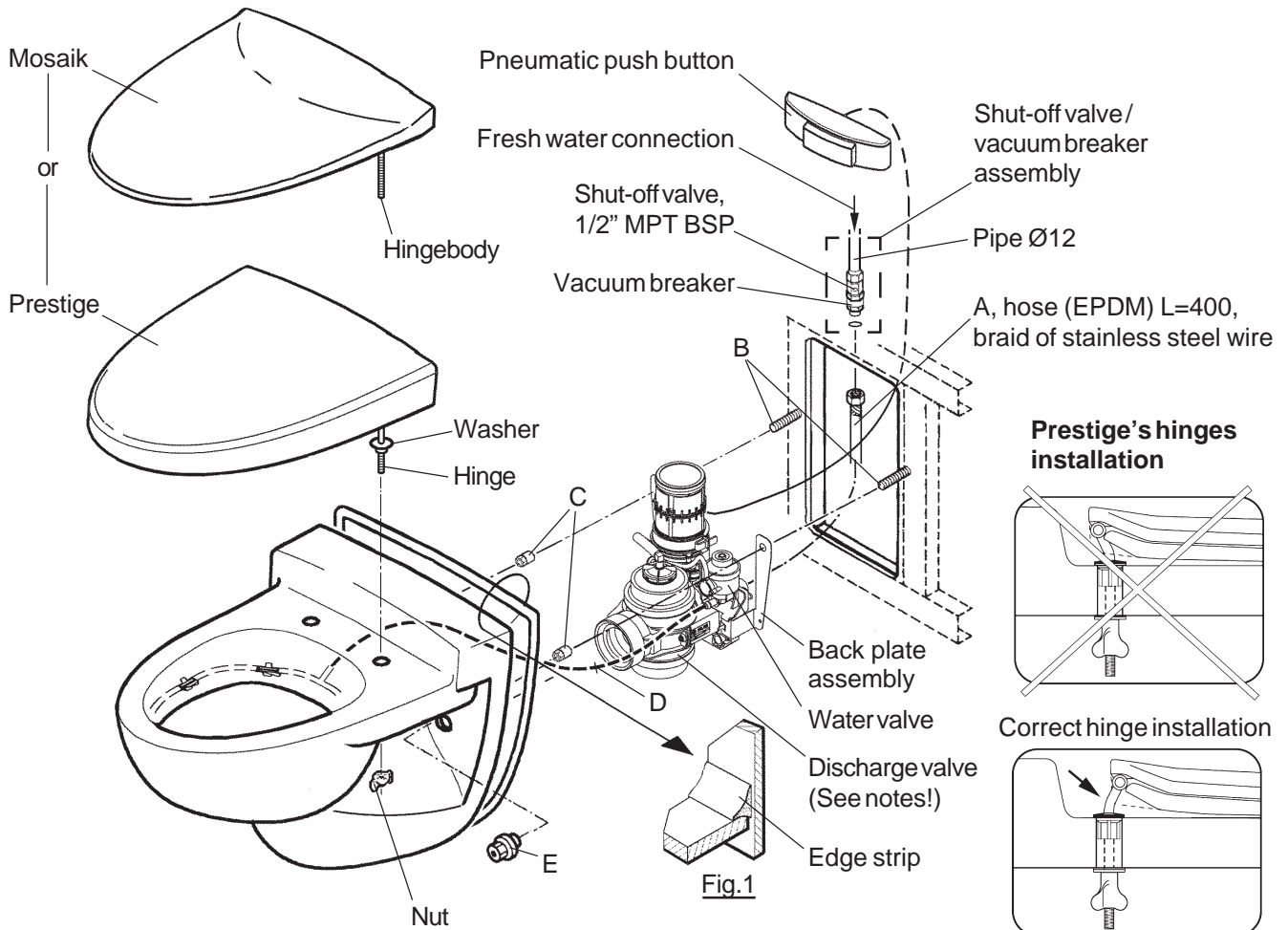
Installation kit 6540972 consists of:

Plastic nut M12	2 pcs
Guiding nut	2 pcs
Edge strip	1 pc
Mounting instruction	1 pc
Straight connection hose	1 pc
Hose clamp	2 pcs

VACUUM TOILET

6543418 EVAC 910, WALL MODEL, PRESTIGE SILENT

6543419 EVAC 910, WALL MODEL, MOSAIK



- Connect the water connection hose A to the water valve.
- Install the back plate assembly on the wall using the bowl fastening bolts B (M12, not included) and the guiding nuts C (M12). The guiding nuts are necessary.
- Connect the hose D from the flushing ring to the water valve. **Do not use any kind of grease during installation!** Secure with hose clamps. Tighten the hose clamps with pliers.

! NOTE: Install the hose D from the flushing ring in the toilet bowl to the right side of the discharge valve and below all other hoses.

- Lift bowl onto the fastening bolts and tighten the securing nuts E. Tightening torque is 15-20 Nm.

! NOTE: Check hoses through the toilet service opening in the wall that the hoses run smoothly. The hoses shall not have any kinks.

- Fit the edge strip as shown in figure 1. Place the joint of the strip to the bottom side of the bowl.
- Install a seat and a cover. Look at The Prestige's hinges installation in the picture above.
- Connect the discharge connection. Secure with the hose clamps.
- Connect the shut-off valve/vacuum breaker assembly to the water supply. The shut-off valve must be installed to the water supply piping's side to ensure the correct flow direction in the vacuum breaker. Note that the vacuum breaker must be installed vertically as shown.
- Connect the water connection hose A to the shut-off valve/vacuum breaker assembly.
- Install the pneumatic push button (See document 002002-1).



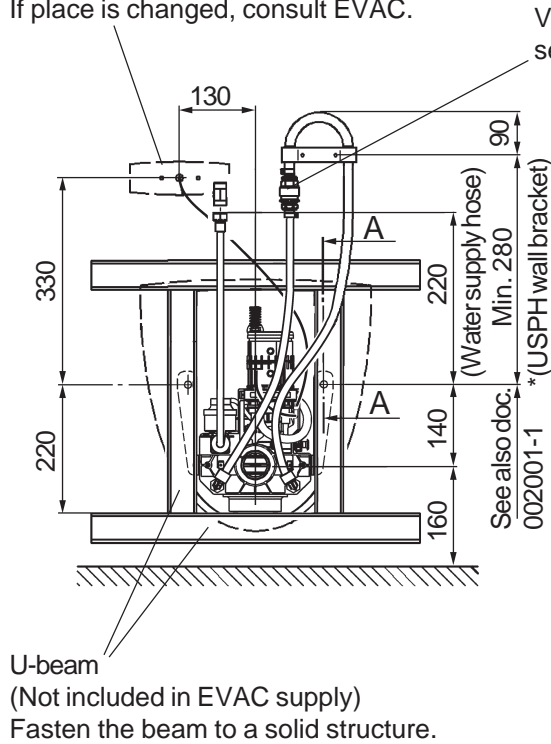
VACUUM TOILET

6543420 EVAC 910, WALL MODEL USPH, PRESTIGE SILENT

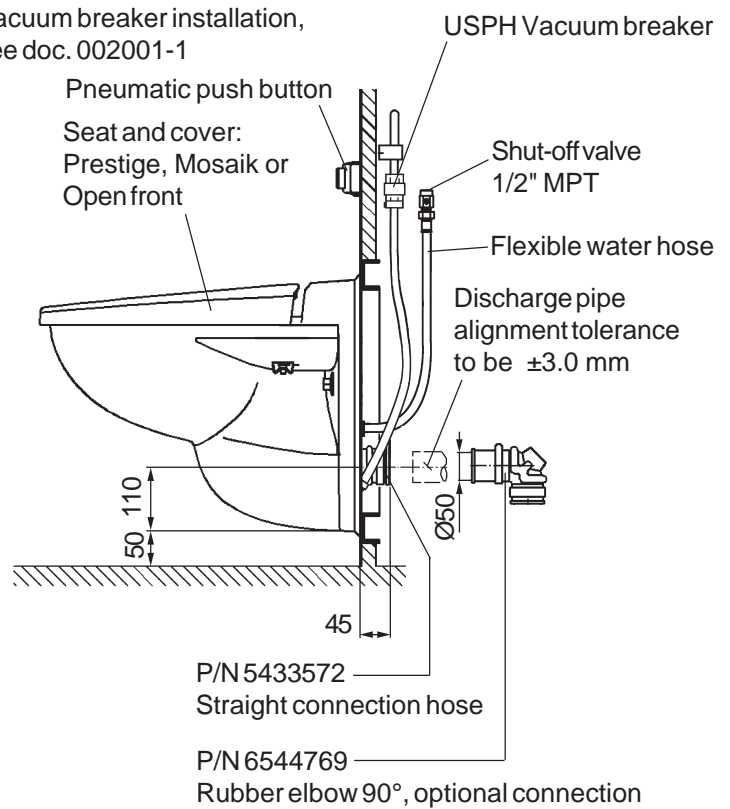
6543421 EVAC 910, WALL MODEL USPH, MOSAIK

6544766 EVAC 910, WALL MODEL USPH, OPEN FRONT

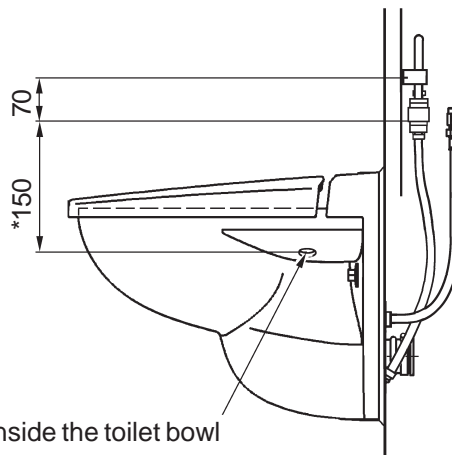
! NOTE: Recommended place for the button.
If place is changed, consult EVAC.



Vacuum breaker installation,
see doc. 002001-1



Overflow point



! NOTE: Overflow point is inside the toilet bowl

* The vacuum breaker air inlet must be located at a minimum of 150mm (6") above the overflow point of the toilet.

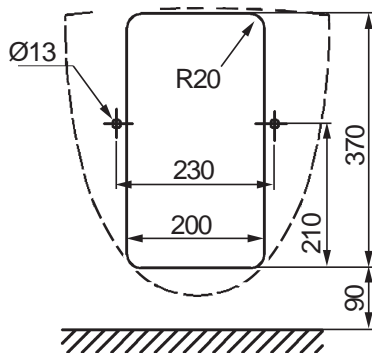
VACUUM TOILET

6543420 EVAC 910, WALL MODEL USPH, PRESTIGE SILENT

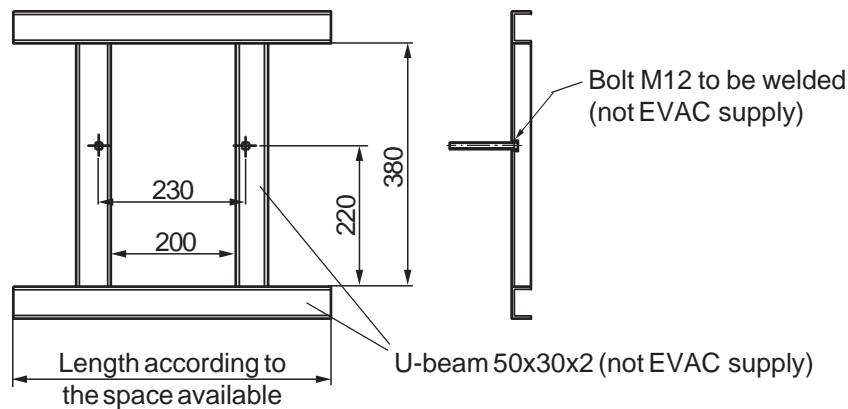
6543421 EVAC 910, WALL MODEL USPH, MOSAIK

6544766 EVAC 910, WALL MODEL USPH, OPEN FRONT

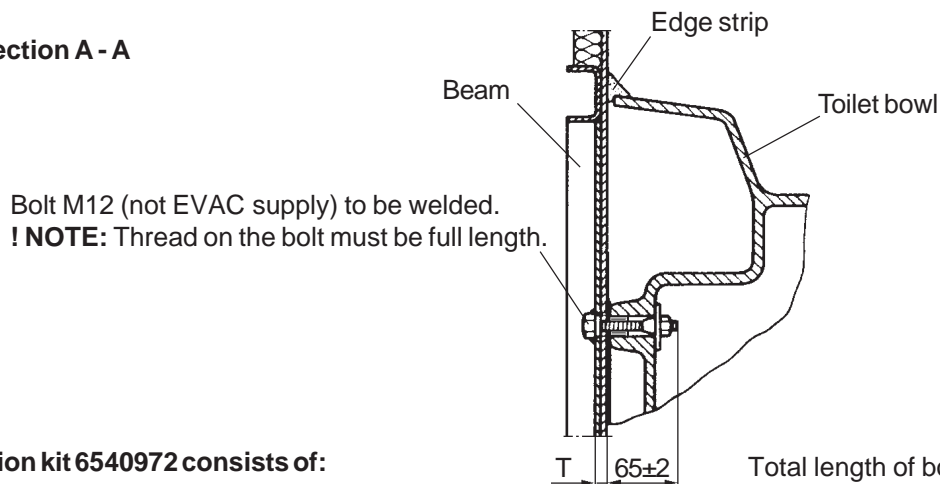
Dimensions of toilet service opening through the wall



Toilet supporting beams for wall models



Cross section A - A

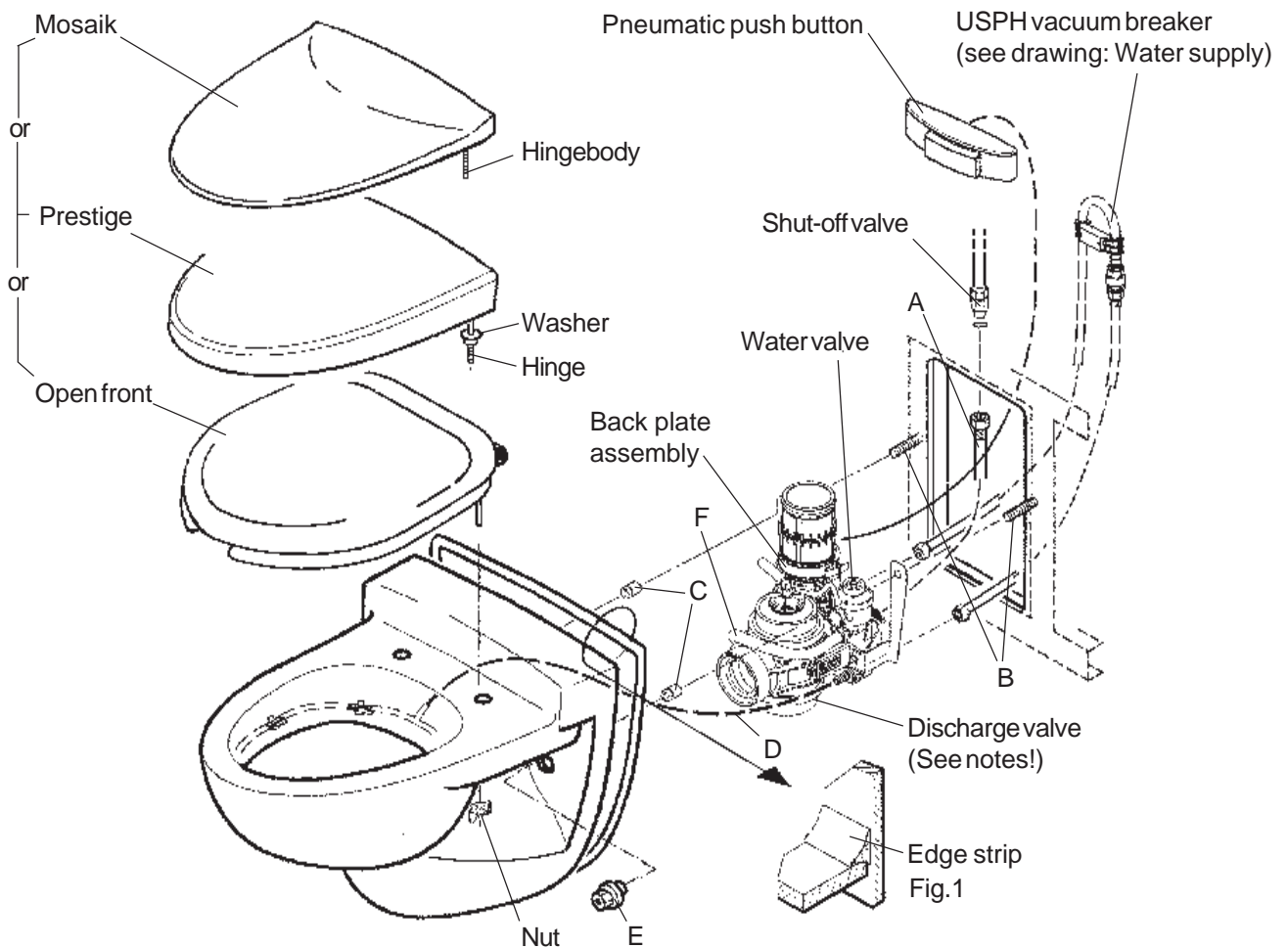


Installation kit 6540972 consists of:

Plastic nut	2 pcs
Guiding nut	2 pcs
Edge strip	1 pc
Mounting instruction	1 pc
Straight connection hose	1 pc
Hose clamp	2 pcs

VACUUM TOILET

6543420 EVAC 910, WALL MODEL USPH, PRESTIGE SILENT
 6543421 EVAC 910, WALL MODEL USPH, MOSAIK
 6544766 EVAC 910, WALL MODEL USPH, OPEN FRONT



- Connect the water connection hose A to the water valve.
- Install the backplate assembly on the wall using the bowl fastening bolts B (M12, not included) and the guiding nuts C (M12). The guiding nuts are necessary.
- Connect the hose D from the flushing ring to the connecting nipple on the backplate (see drawing: Water supply). **Do not use any kind of grease during installation!** Secure with hose clamps. Tighten the hose clamps with pliers.

! NOTE: Install the hose D to the right side of the discharge valve and below the hose F.

- Lift bowl onto the fastening bolts and tighten the securing nuts E. Tightening torque is 15-20 Nm.

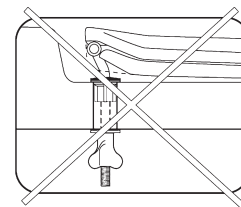
! NOTE: Check hoses through the toilet service opening in the wall that the hoses run smoothly. The hoses shall not have any kinks.

VACUUM TOILET

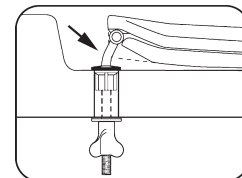
- 6543420 EVAC 910, WALL MODEL USPH, PRESTIGE SILENT
- 6543421 EVAC 910, WALL MODEL USPH, MOSAIK
- 6544766 EVAC 910, WALL MODEL USPH, OPEN FRONT

- Fit the edge strip as shown in the figure 1. Place the joint of the strip to the bottom side of the bowl.
- Install a seat and a cover. See drawing: The Prestige's hinges installation.
- Connect the USPH vacuum breaker to the back plate's connecting nipples (see drawing: Water supply).
- Fix the USPH vacuum breaker on the wall (see drawing: Water supply and see dimensions from document 002000-2).
- Connect the discharge connection. Secure with the hose clamps.
- Connect the shut-off valve to the water supply. The shut-off valve must be installed to the water supply piping's side to ensure the correct flow direction in the vacuum breaker. Note that the vacuum breaker must be installed vertically as shown.
- Connect the water connection hose A to the shut-off valve.
- Install the pneumatic push button (see document 002002-1).

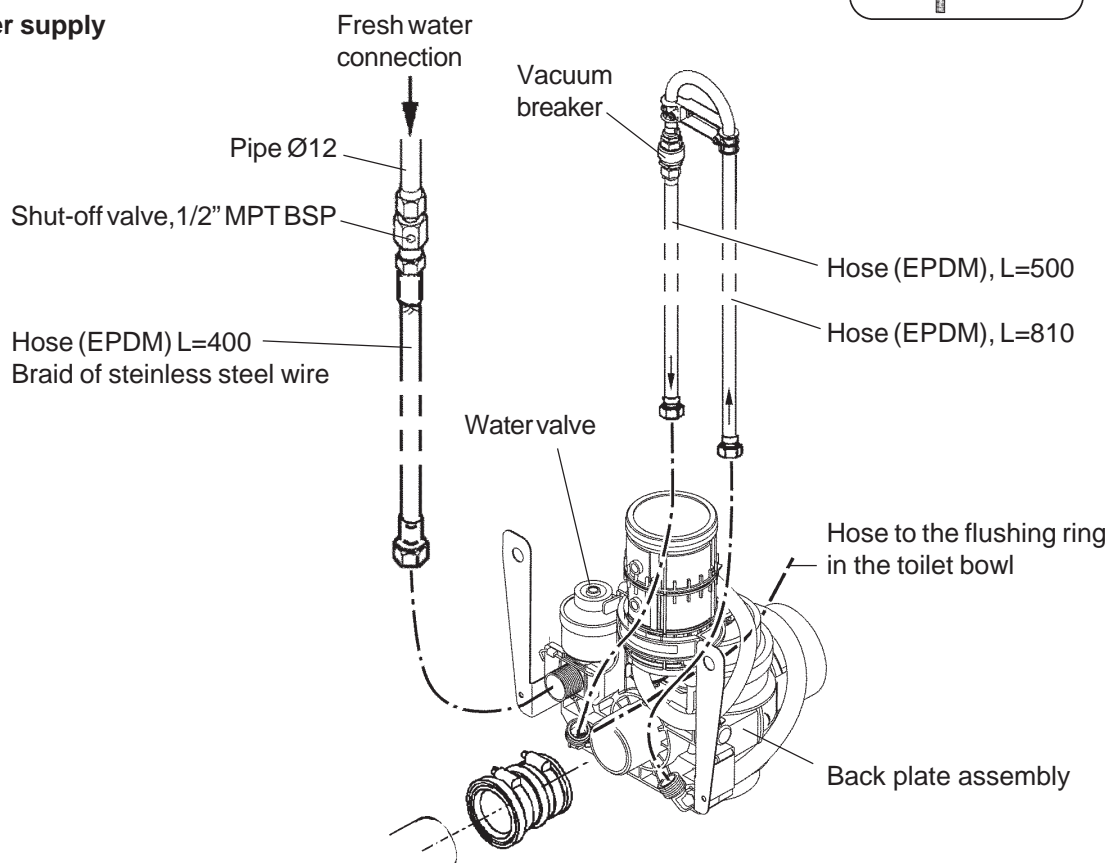
Prestige's hinges installation



Correct hinge installation



Water supply



! NOTE: For non-U.S. flag vessels



EVAC

Commercial Marine Equipment

Date: 13 May 2009

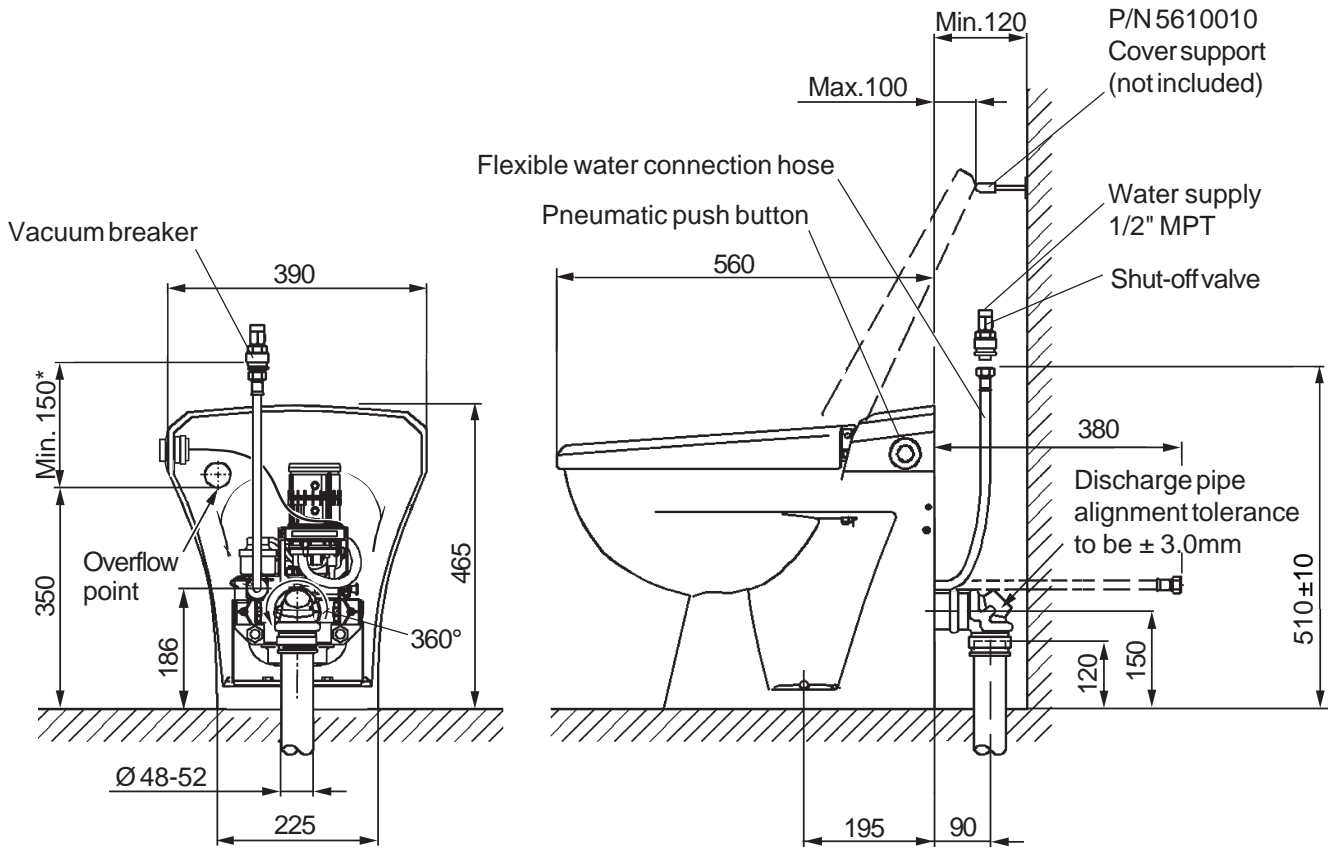
Doc. 002248-1

INSTALLATION

VACUUM TOILET

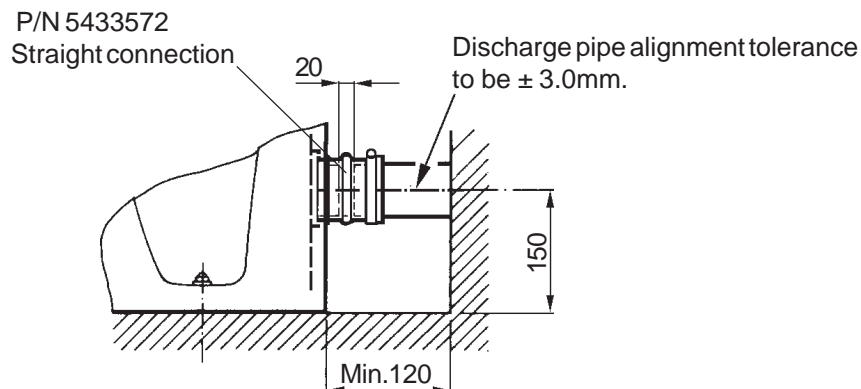
6545825 EVAC 910, FLOOR MODEL, SILENT (EVACINHUSH)

6545826 EVAC 910, FLOOR MODEL, ANIARA



* The vacuum breaker air inlet must be installed min. 150mm (6") above the overflow point of the toilet.

Optional discharge connection

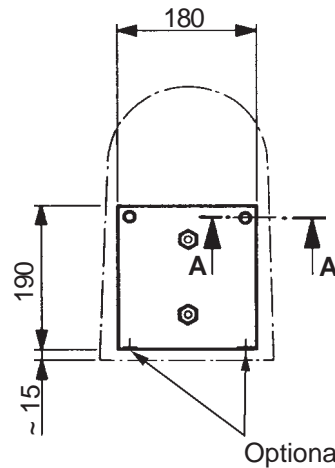
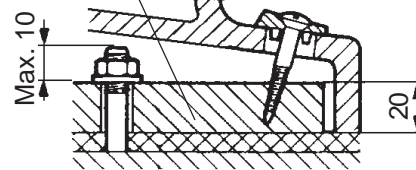


VACUUM TOILET

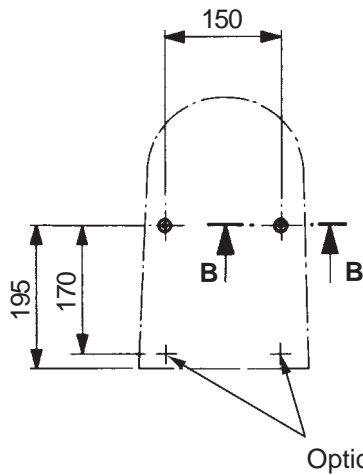
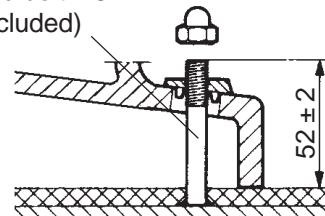
6545825 EVAC 910, FLOOR MODEL, SILENT (EVACINHUSH)

6545826 EVAC 910, FLOOR MODEL, ANIARA

Fixing to the floor with a fixing plate and wood screws


 P/N 5779920 Fixing plate, plastic
(not included)

Section A

Fixing to the floor with welded bolts


 Welded bolt M8
(not included)

Section B

Installation kit P/N 5824900 consists of:

Wood screw 5x45	2 pcs
Rubber elbow	1 pc
Hose clamp	2 pcs
Plastic washer	2 pcs
Nut M8	2 pcs
Mounting instruction	1 pc

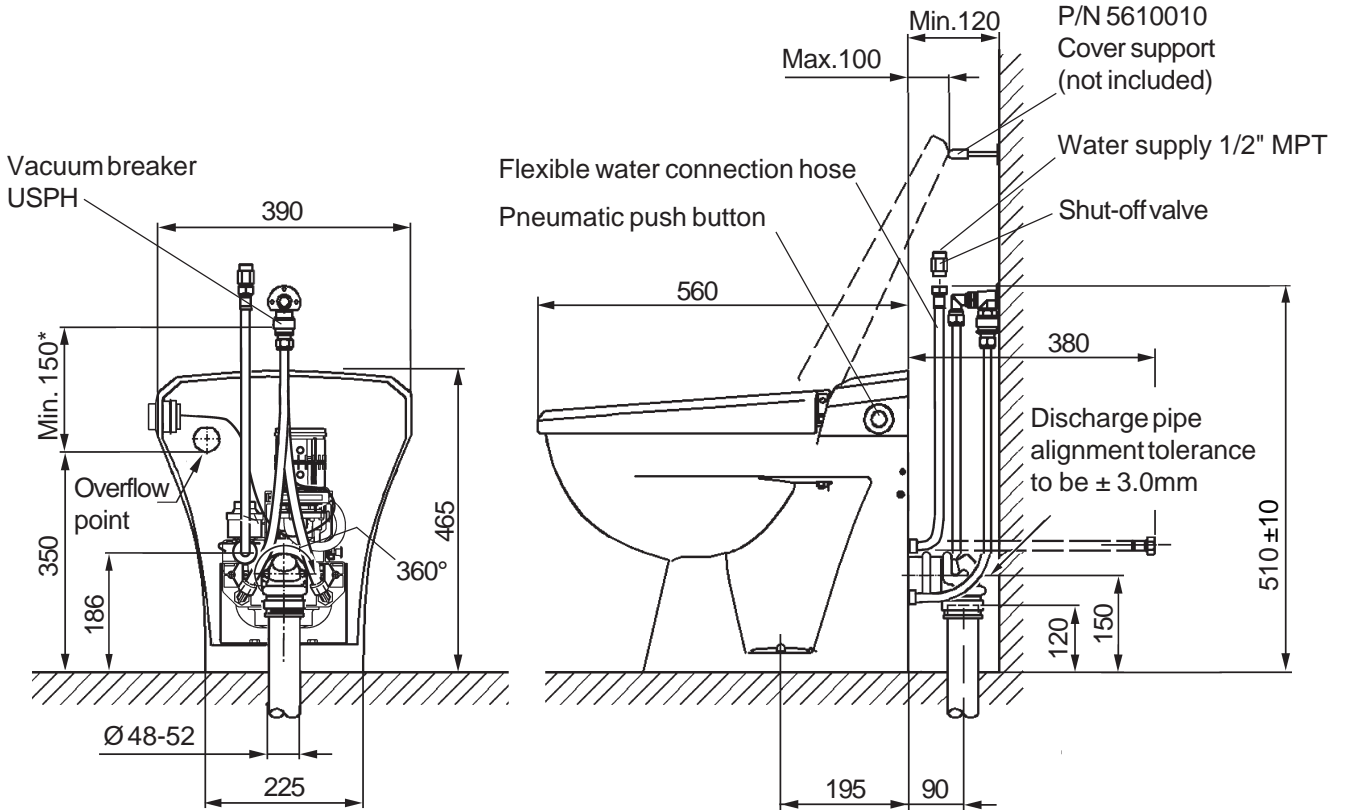


VACUUM TOILET

6545827 EVAC 910, FLOOR MODEL USPH, SILENT (EVACINHUSH)

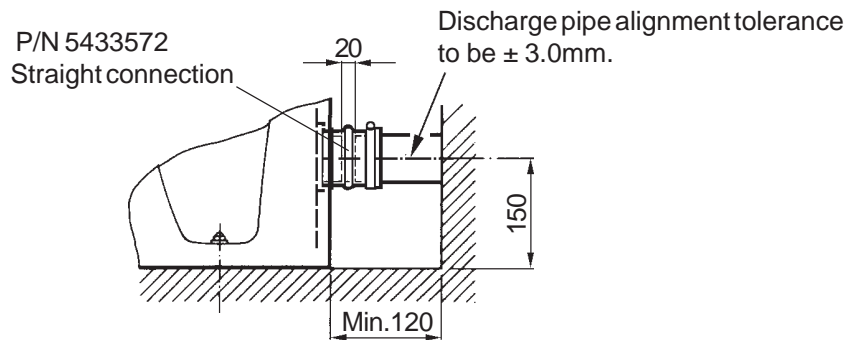
6545828 EVAC 910, FLOOR MODEL USPH, ANIARA

6545829 EVAC 910, FLOOR MODEL USPH, OPEN FRONT



*The vacuum breaker air inlet must be installed min. 150mm (6") above the overflow point of the toilet.

Optional discharge connection



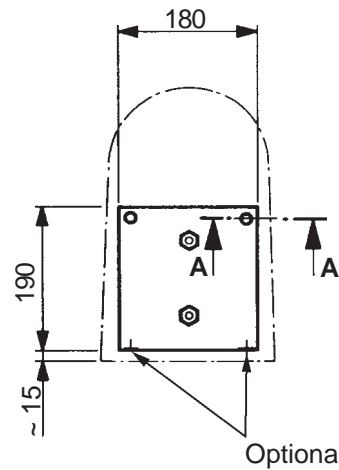
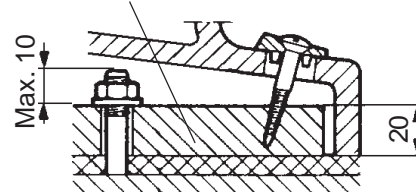
VACUUM TOILET

6545827 EVAC 910, FLOOR MODEL USPH, SILENT (EVACINHUSH)

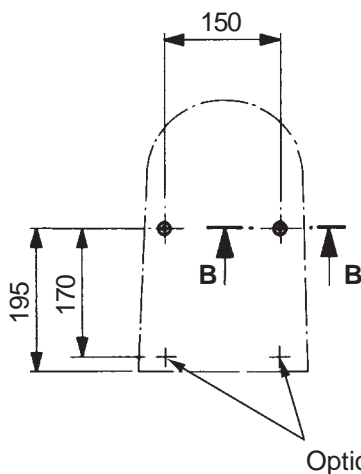
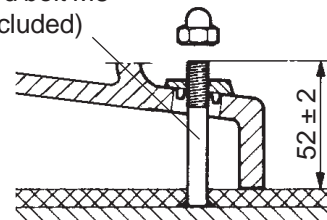
6545828 EVAC 910, FLOOR MODEL USPH, ANIARA

6545829 EVAC 910, FLOOR MODEL USPH, OPEN FRONT

Fixing to the floor with a fixing plate and wood screws


 P/N 5779920 Fixing plate, plastic
(not included)

Section A

Fixing to the floor with welded bolts

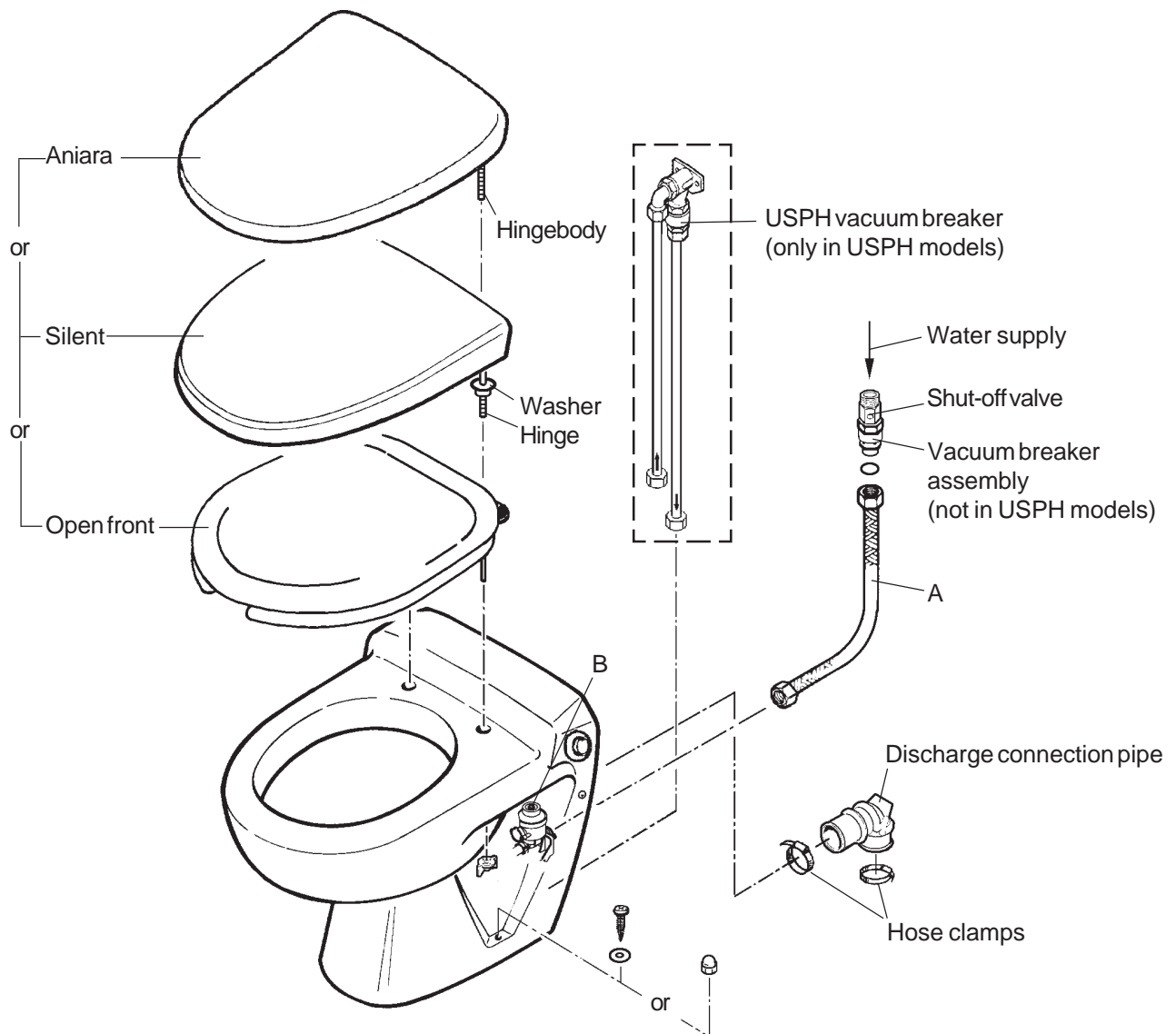

 Welded bolt M8
(not included)

Section B

Installation kit P/N 5824900 consists of:

Wood screw 5x45	2 pcs
Rubber elbow	1 pc
Hose clamp	2 pcs
Plastic washer	2 pcs
Nut M8	2 pcs
Mounting instruction	1 pc

VACUUM TOILET

6545825	EVAC 910, FLOOR MODEL, SILENT (EVACINHUSH)
6545826	EVAC 910, FLOOR MODEL, ANIARA
6545827	EVAC 910, FLOOR MODEL USPH, SILENT (EVACINHUSH)
6545828	EVAC 910, FLOOR MODEL USPH, ANIARA
6545829	EVAC 910, FLOOR MODEL USPH, OPEN FRONT

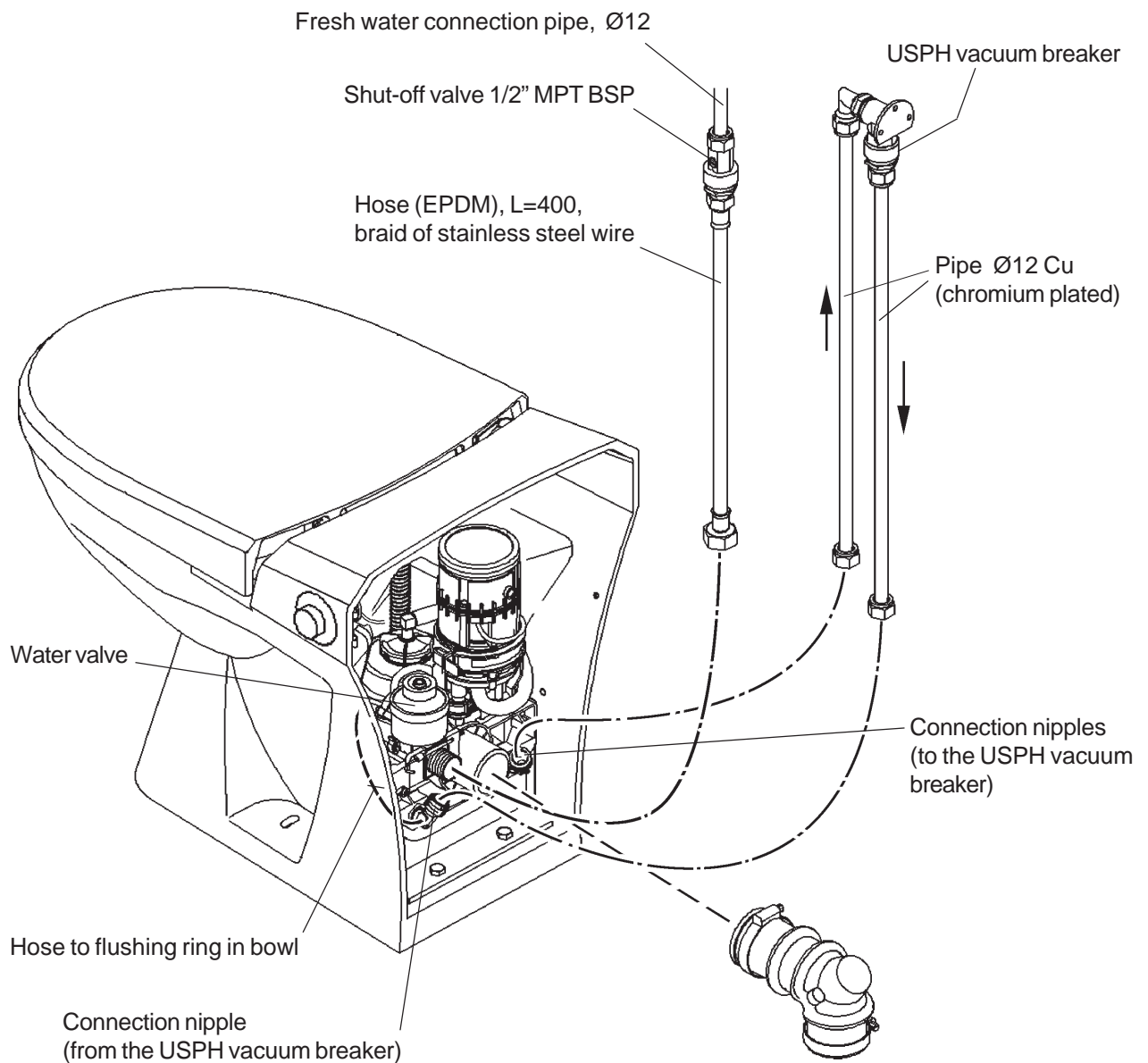


- Connect the water connection hose A to the water valve B.
- Connect the pipes from the USP vacuum breaker to the connecting nipples of the backplate. Note the correct flow direction (see water supply in the USPH models in the next page).
- If you have an optional wall push button follow the installation instructions on the document 002002-1.
- Lift the toilet bowl on it's place, fix it on a floor using the screws/nuts and the washers. Use silicone compound to seal joining between the bowl and the floor.
- Connect the discharge connection. Secure with hose clamps.
- Fix the USP vacuum breaker on the wall (only in the USPH models).
- Connect the shut-off valve/vacuum breaker assembly (the vacuum breaker assembly is not included in the USPH models) to the water supply. The shut-off valve must be installed to the water supply piping's side to ensure the correct flow direction in the vacuum breaker. Note that the vacuum breaker must be installed vertically as shown.
- Connect the water connection hose A to the shut-off valve/vacuum breaker.
- Install the seat and the cover.

VACUUM TOILET

- 6545825 EVAC 910, FLOOR MODEL, SILENT (EVACINHUSH)
- 6545826 EVAC 910, FLOOR MODEL, ANIARA
- 6545827 EVAC 910, FLOOR MODEL USPH, SILENT (EVACINHUSH)
- 6545828 EVAC 910, FLOOR MODEL USPH, ANIARA
- 6545829 EVAC 910, FLOOR MODEL USPH, OPEN FRONT

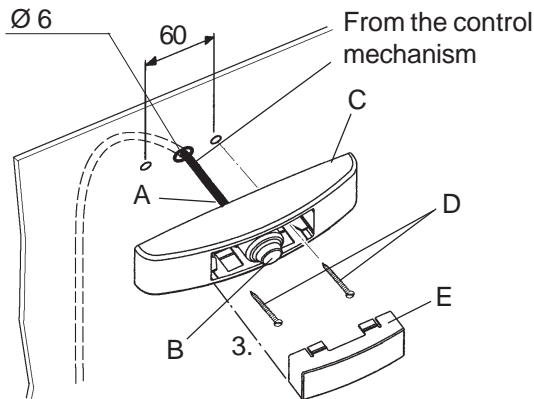
Water supply in the USPH models



VACUUM TOILET

6541458 PNEUMATIC PUSH BUTTON, EVAC 910, WALL MODELS

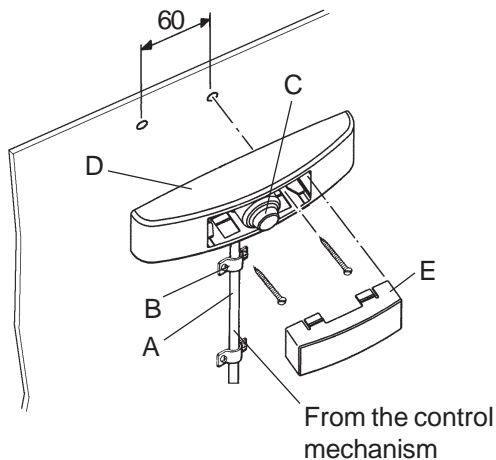
6541057 OPTIONAL PNEUMATIC PUSH BUTTON KIT, EVAC 910, FLOOR MODELS



1. Drill Ø6 mm hole for the hose A.
2. Connect the plastic hose A from the control mechanism to the bellow B. Warm the end of the hose if needed to help installation.
3. Install the body C of push button on the wall using screws D (not included).
4. Snap the cover E of the push button bellow in its place.

! NOTE: Secure, that the hose A is not flattened after installation. Air impulse must always flow free.

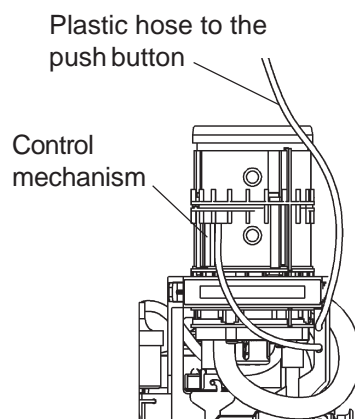
Installing the push button on the wall, floor models with the optional push button kit. (Hose and protecting pipe on the surface of the wall)



1. Thread the hose from the control mechanism through the protection pipe A.
2. Install the protection pipe A on the wall using screws and clamps B.
3. Cut off the film of the bushing for the plastic hose in the bottom side of the push buttons cover.
4. Connect plastic hose from the control mechanism to the bellow C. Snap the plastic hose on the clip behind the bottom plate.
5. Install the push button body D to the wall using screws (not included).
6. Snap the cover of the push button bellow E in its place.

Control mechanism

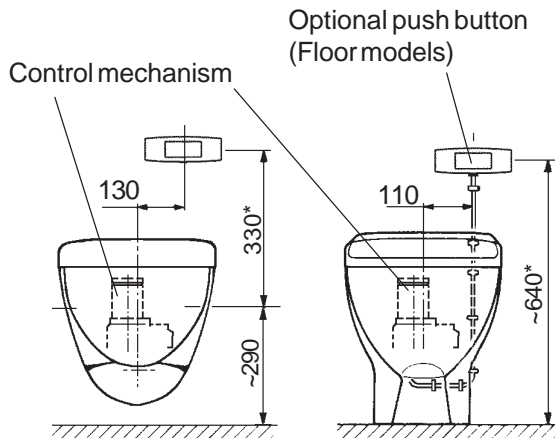
Make sure, that the plastic hose does not get loose from the control mechanism.



VACUUM TOILET

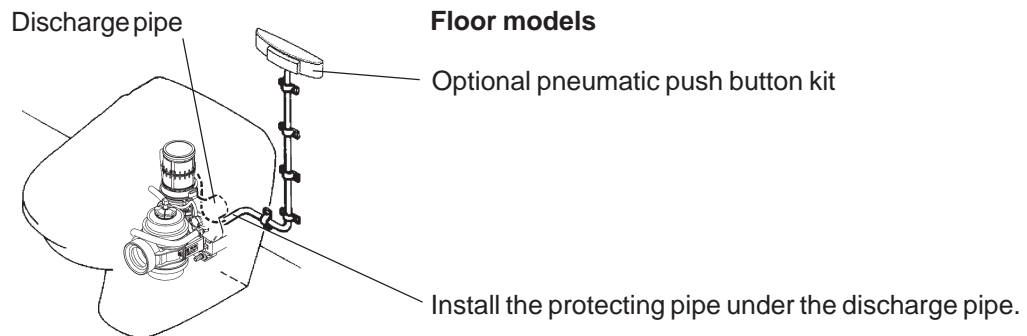
6541458 PNEUMATIC PUSH BUTTON, EVAC 910, WALL MODELS

6541057 OPTIONAL PNEUMATIC PUSH BUTTON KIT, EVAC 910, FLOOR MODELS



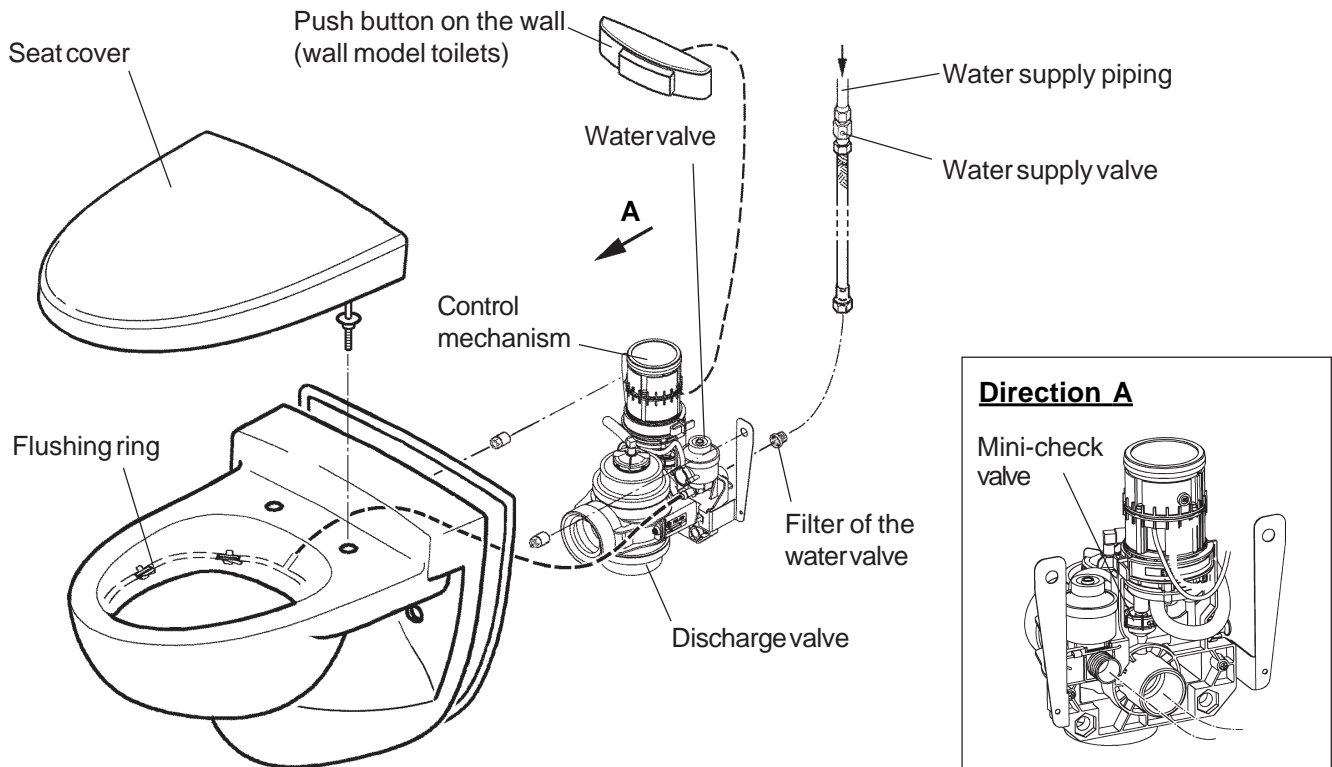
Recommended place for the button

! NOTE: Make sure, that cover does not hit the push button when opened. (*In Aniara/Mosaik models dimension is 100mm smaller due to the flexible cover.) If the place is changed, consult EVAC.



VACUUM TOILET

- 6543418 EVAC 910, WALL MODEL, PRESTIGE SILENT, WHITE
- 6543419 EVAC 910, WALL MODEL, MOSAIK, WHITE
- 6543420 EVAC 910, WALL MODEL USPH, PRESTIGE SILENT, WHITE
- 6543421 EVAC 910, WALL MODEL USPH, MOSAIK, WHITE
- 6544766 EVAC 910, WALL MODEL USPH, OPEN FRONT, WHITE



Start-up

- Clean the bottom of the toilet bowl.
- Check that the mini-check valve and the discharge valve are clean and working correctly.
- Check that the water supply hose and the filter of the water valve are not blocked up.
- Check that sufficient vacuum (-0.3 bar) is available.
- Open the water supply valve in the water supply piping.
- Press the toilet push button. Pressing the button starts the flushing sequence. The discharge valve opens and the contents of the bowl are extracted by vacuum. At the same time the bowl is rinsed by water.
- When the discharge valve has been closed water level is restored in the bowl by the closing time delay of the water valve.

Monitoring the vacuum toilet in the normal operation

- Check that the water valve provides the rinse water to the bowl at the same time as the discharge valve extracts the bowl contents when the push button is pressed.
- Check that the push button returns to its non-activated state.
- Check that after the discharge valve closes, the water valve continues to provide water to the bowl. If the water valve time delay is correctly adjusted, there should be a pool of water at the bottom of the bowl.
- Check that there are no water or air leaks.

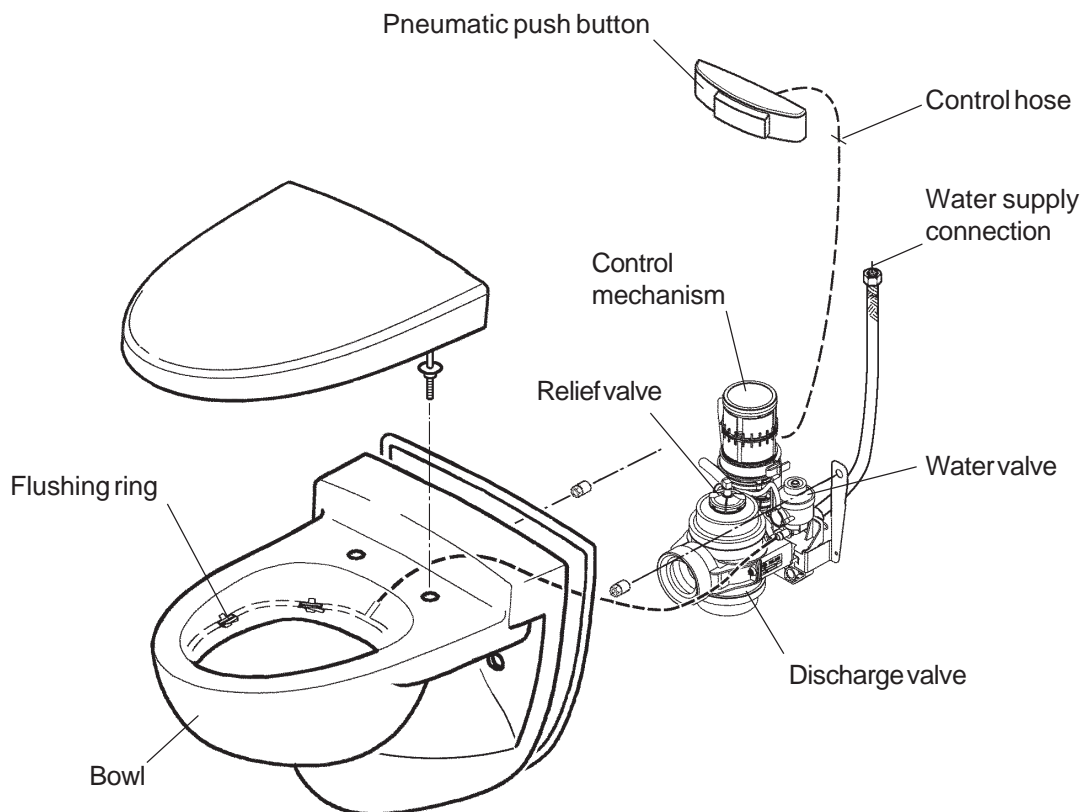
! NOTE: Water consumption is dependent on the water supply pressure and the vacuum level.

Preparation for a toilet not to be used for a long period

- Close the water supply valve.
- Run a flush cycle by pressing the push button.
- Close the toilet seat cover.

VACUUM TOILET

6543418	EVAC 910, WALL MODEL, PRESTIGE SILENT, WHITE
6543419	EVAC 910, WALL MODEL, MOSAIK, WHITE
6543420	EVAC 910, WALL MODEL USPH, PRESTIGE SILENT, WHITE
6543421	EVAC 910, WALL MODEL USPH, MOSAIK, WHITE
6544766	EVAC 910, WALL MODEL USPH, OPEN FRONT, WHITE



Operation

The toilet is flushed by pressing the push button. The pneumatic push button is connected to the control mechanism with a control hose, which transports the air pulse from the push button to the control mechanism. The air pulse starts the flushing sequence and the control mechanism connects vacuum to the control connections of the water valve and the discharge valve. The water valve opens and lets rinsing water flow into the bowl through the flushing ring. After a short delay vacuum acts in discharge valve housing and forces the rubber diaphragm in discharge valve to open. Contents of the bowl is drained to the vacuum sewer by a pressure difference between the bowl and vacuum sewer. The flushing cycle in the control mechanism starts the closing cycle. Vacuum enters to the relief valve. The relief valve opens the port between atmospheric air and the discharge valve. Atmospheric air enters to the discharge valve which closes immediately. After a short delay the atmospheric air pulse reaches to the water valve and the relief valve. The water valve closes and lets a certain level of water at the bottom in the bowl. After the flushing cycle has stopped the push button and the system will be ready for the next flush.

VACUUM TOILET

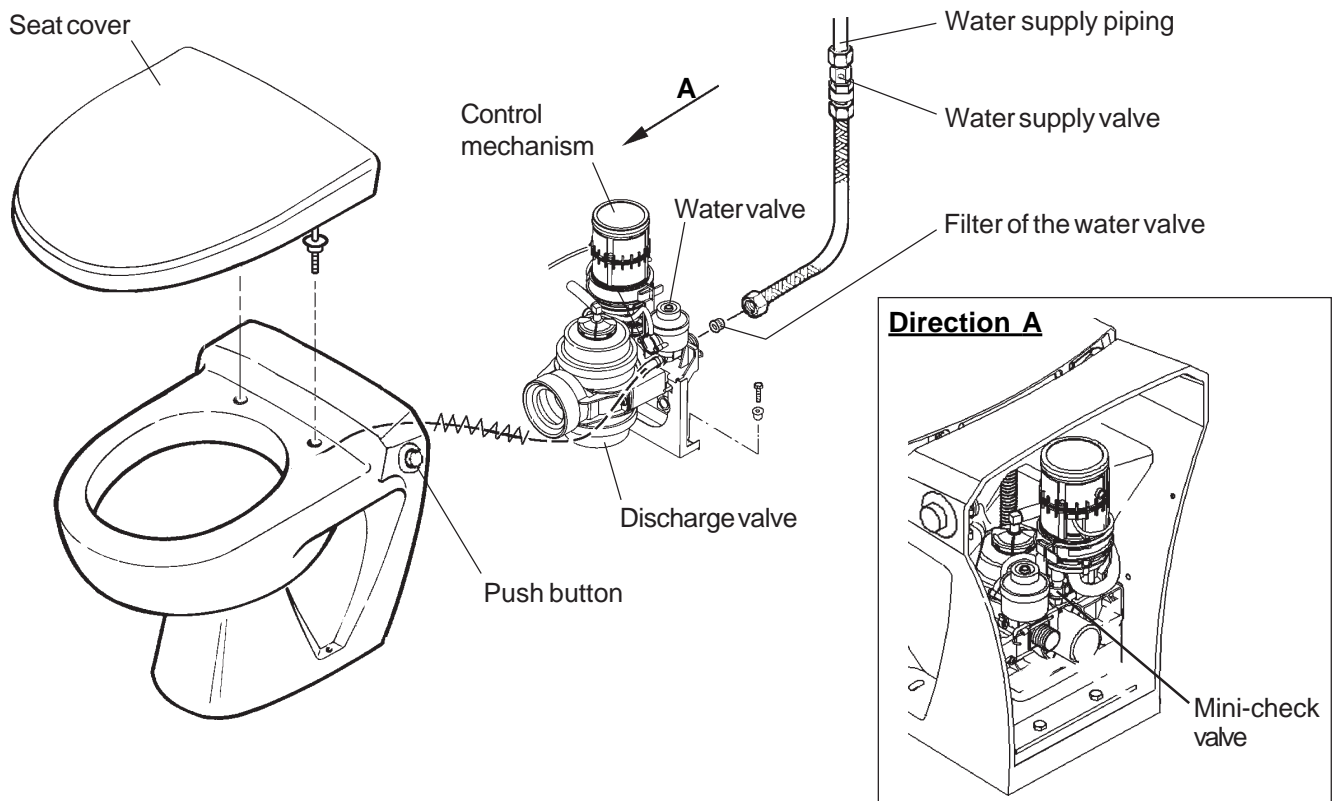
6545825 EVAC 910, FLOOR MODEL, SILENT (EVACINHUSH)

6545826 EVAC 910, FLOOR MODEL, ANIARA

6545827 EVAC 910, FLOOR MODEL USPH, SILENT (EVACINHUSH)

6545828 EVAC 910, FLOOR MODEL USPH, ANIARA

6545829 EVAC 910, FLOOR MODEL USPH, OPEN FRONT



Start-up

- Clean the bottom of the toilet bowl.
- Check that the mini-check valve and the discharge valve are clean and working correctly.
- Check that the water supply hose and the filter of the water valve are not blocked up.
- Check that sufficient vacuum (-0.3 bar) is available.
- Open the water supply valve in the water supply piping.
- Press the toilet push button. Pressing the button starts the flushing sequence. The discharge valve opens and the contents of the bowl are extracted by vacuum. At the same time the bowl is rinsed by water.
- When the discharge valve has been closed water level is restored in the bowl by the closing time delay of the water valve.

Monitoring the vacuum toilet in the normal operation

- Check that the water valve provides the rinse water to the bowl at the same time as the discharge valve extracts the bowl contents when the push button is pressed.
- Check that the push button returns to its non-activated state.
- Check that after the discharge valve closes, the water valve continues to provide water to the bowl. If the water valve time delay is correctly adjusted, there should be a pool of water at the bottom of the bowl.
- Check that there are no water or air leaks.

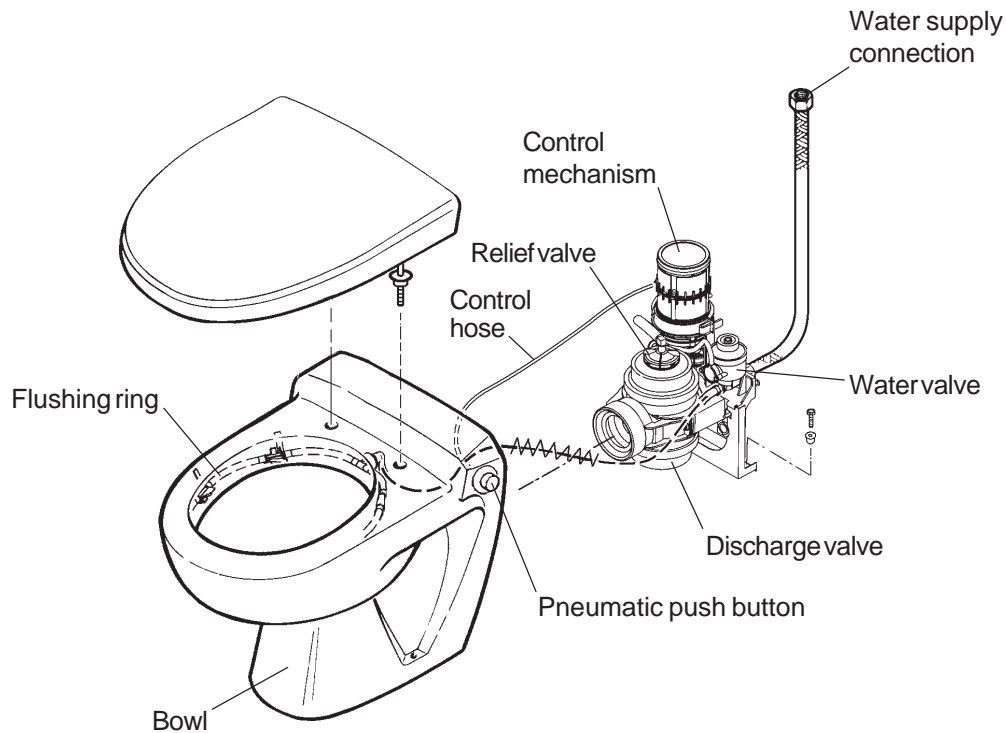
! NOTE: Water consumption is dependent on the water supply pressure and the vacuum level.

Preparation for a toilet not to be used for a long period

- Close the water supply valve.
- Run a flush cycle by pressing the push button.
- Close the toilet seat cover.

VACUUM TOILET

- 6545825 EVAC 910, FLOOR MODEL, SILENT (EVACINHUSH)
- 6545826 EVAC 910, FLOOR MODEL, ANIARA
- 6545827 EVAC 910, FLOOR MODEL USPH, SILENT (EVACINHUSH)
- 6545828 EVAC 910, FLOOR MODEL USPH, ANIARA
- 6545829 EVAC 910, FLOOR MODEL USPH, OPEN FRONT



Operation

The toilet is flushed by pressing the push button. The pneumatic push button is connected to the control mechanism with a control hose, which transports the air pulse from the push button to the control mechanism.

The air pulse starts the flushing sequence and the control mechanism connects vacuum to the control connections of the water valve and the discharge valve. The water valve opens and lets rinsing water flow into the bowl through the flushing ring.

After a short delay vacuum acts in discharge valve housing and forces the rubber diaphragm in discharge valve to open. Contents of the bowl is drained to the vacuum sewer by a pressure difference between the bowl and vacuum sewer. The flushing cycle in the control mechanism starts the closing cycle. Vacuum enters to the relief valve.

The relief valve opens the port between atmospheric air and the discharge valve.

Atmospheric air enters to the discharge valve which closes immediately. After a short delay the atmospheric air pulse reaches to the water valve and the relief valve. The water valve closes and lets a certain level of water at the bottom in the bowl. After the flushing cycle has stopped the push button and the system will be ready for the next flush.

VACUUM TOILET

5775500 CONTROL MECHANISM, EVAC 910, WALL MODELS AND FLOOR MODELS

Description of the flushing sequence

In the standby position FIG.1

The control valve 1 is closed. Vacuum in the chambers 2 and 3 is equalized by the jets 4 and 5. Force of the spring 6 holds the mechanism in a non-activated position.

In the position immediately after the push button has been pressed FIG.2

Air pressure applied from the flush button to the chamber 7 has lifted the lever 8 and opened control valve 1. Atmospheric air has entered chamber 3 through filter 9 and valve 1. The force from the pressure difference between 2 and 3 has moved the shaft 10 to the left and the following sequence of events has occurred:

The inlet valve 11 has closed. Vacuum valve 12 has opened. Vacuum is distributed via check valve 13 to discharge valve 18 and water valve 19 which will both open. Chamber 14 is also subjected to vacuum through check valve 21.

This vacuum will pull lever 8 and close valve 1 and the timer function will start. Chamber 3 will be evacuated through jet 5 and the pressure difference 2-3 equalizes. At a certain level, the counterforce from spring 6 will outweigh and the cycle will go in the opposite direction:

The vacuum valve 12 will close. The air inlet valve 11 will open and vacuum will enter the relief valve 22, atmospheric air enters the water valve, the discharge valve and the chamber 14. The discharge valve 18 will close and somewhat later (because of the jet 17), the water valve 19 closes when a suitable water level has been reached at the bottom of the bowl. The relief valve closes.

Returning to the standby position FIG.3

The whole system goes to standby position ready for another VT-flush.

! NOTE: Diaphragm 16 has the same effective area as the air inlet valve 11 to balance the vacuum forces. FIG.3

! NOTE: Check valve 13 ensures that connected valves in activated position are unaffected by changes in the vacuum supply level.

! NOTE: If vacuum is too low or absent the function is delayed. Control valve 1 stays open until chamber 14 is subject to vacuum.

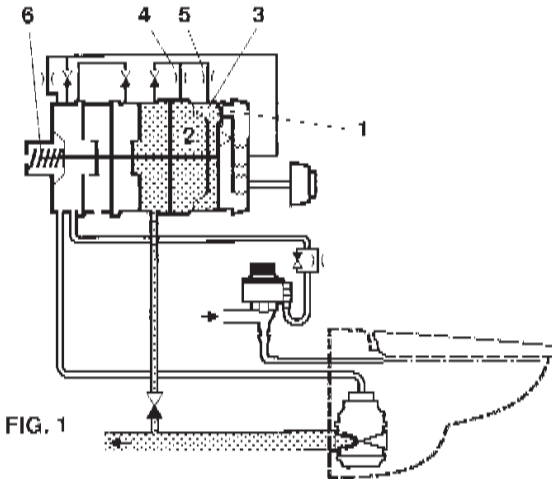


FIG. 1

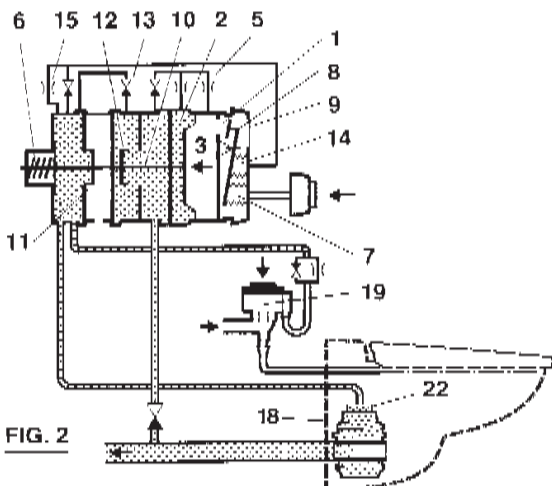


FIG. 2

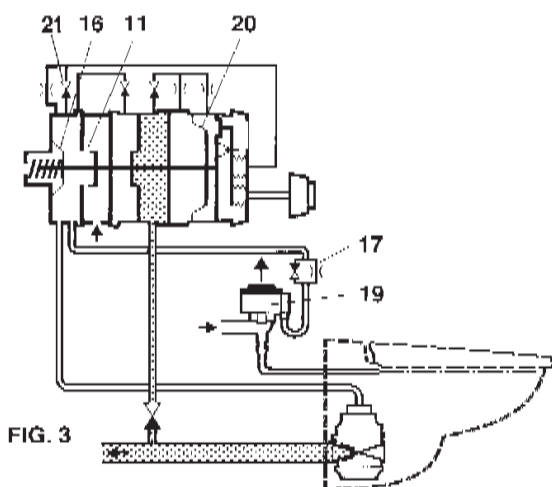
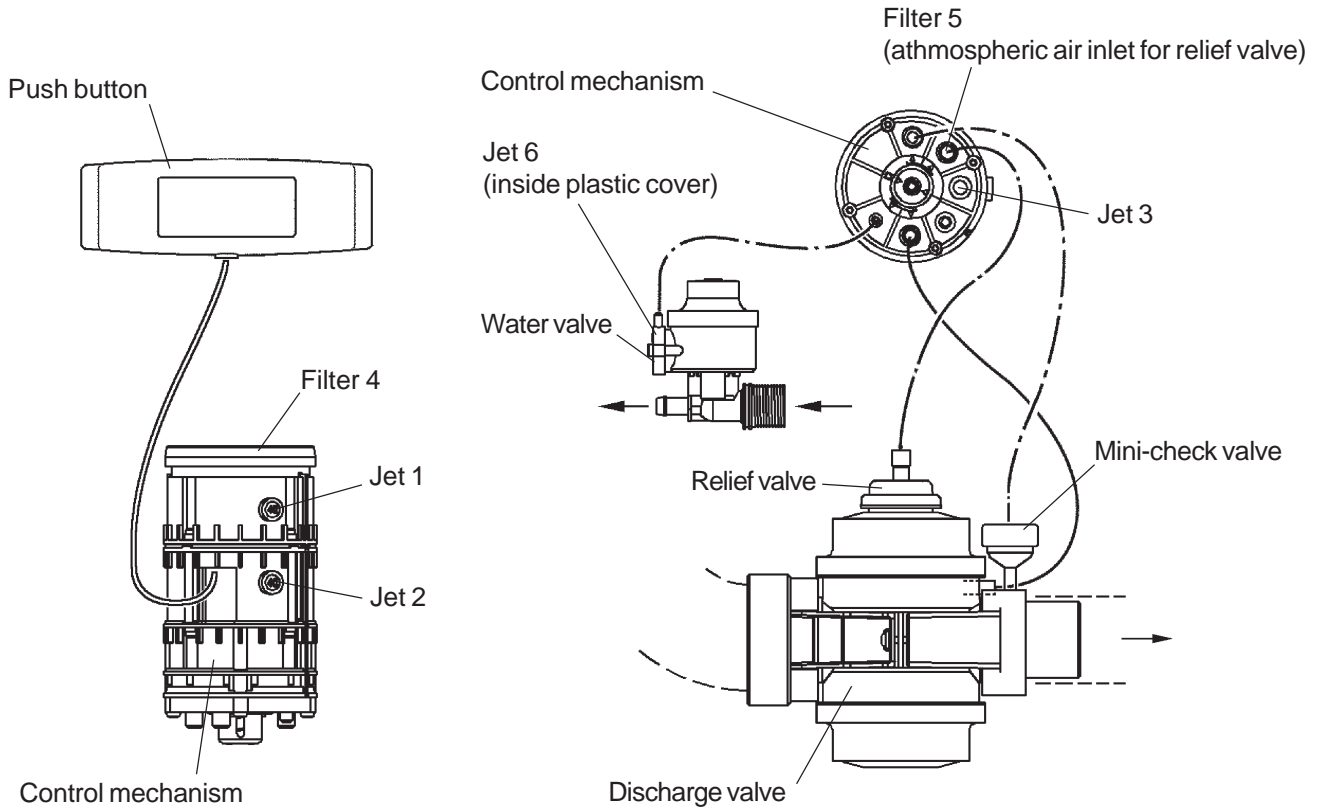


FIG. 3

VACUUM TOILET

5775500 CONTROL MECHANISM, EVAC 910 WALL MODELS AND FLOOR MODELS



Operation

The functioning of the vacuum toilet is entirely controlled by the control mechanism. The operation of the control mechanism is based on vacuum in the sewage piping system.

Description of flushing sequence see document 002030-1.

Jet 1 (document 002030-1 pos. 5) controls the discharge valve opening time.

Jet 2 (document 002030-1 pos. 4) counters the effect of quick changes in the vacuum supply.

Jet 3 (document 002030-1 pos. 15) delays the vacuum changes in the chamber 14 (see document 002030-1). This prevents a new flushing procedure to start before the previous procedure has stopped.

Maintenance

Check that the air filters 4 and 5 are not blocked.

Check hoses and pipe connections for leaks.

Toilet discharge time

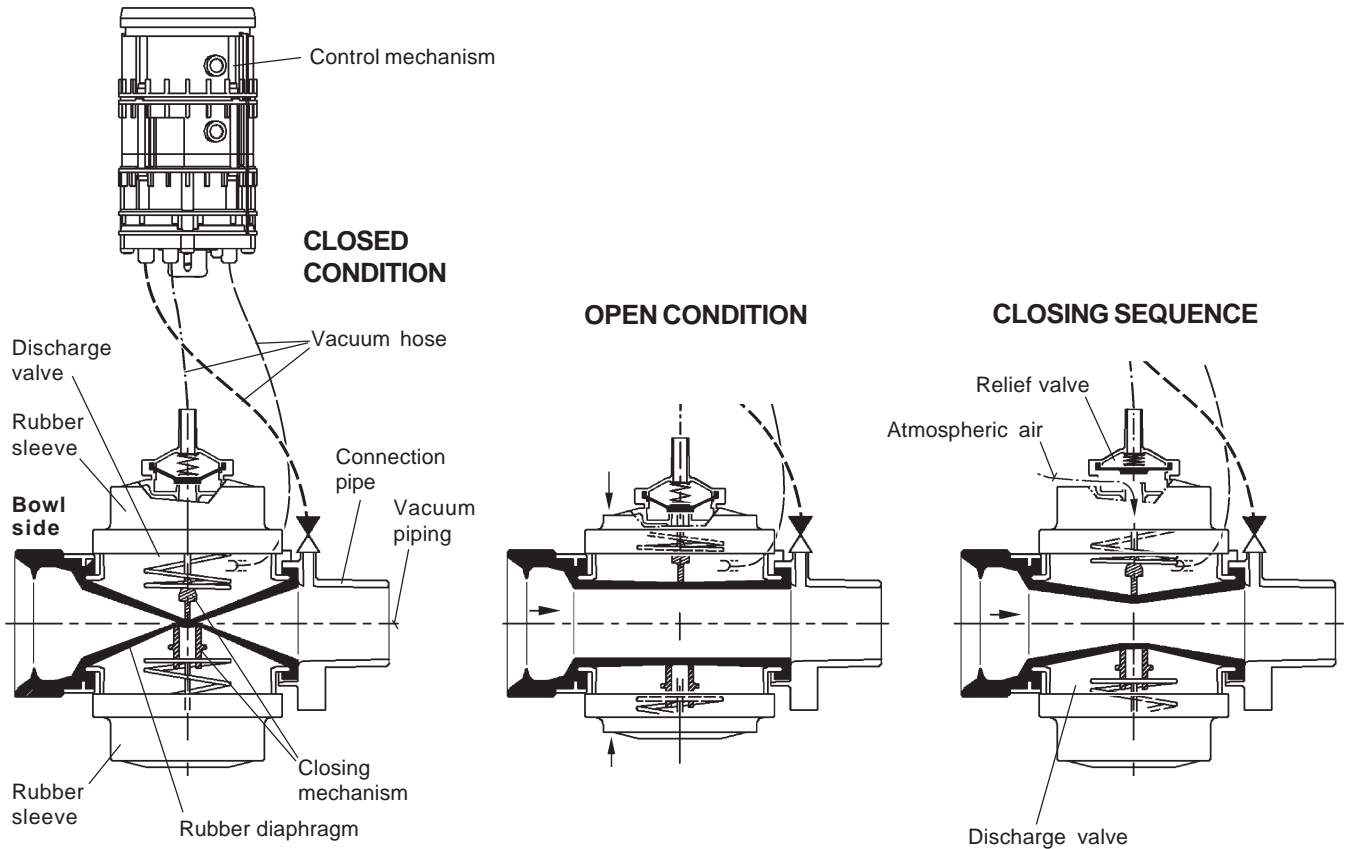
Jet 1	Short discharge period	Red jet	1.5 sec.
	Normal discharge period	Blue jet	2.0 sec.
	Longer discharge period	White jet	2.5 sec.
	Less restriction shortens the time		

Water valve opening time

Jet 6	Normal bowl water level	White jet
	Low bowl water level	Blue jet

VACUUM TOILET

6543002 DISCHARGE VALVE, EVAC 910, WALL MODELS AND FLOOR MODELS



Operation

Closed condition:

The control mechanism shuts off connection between the vacuum piping and the discharge valve housing. As the valve housing is under atmospheric pressure the spring-loaded closing mechanism closes the rubber diaphragm and isolates the bowl from the vacuum piping.

Open condition:

As the control valve opens the discharge valve housing is subjected to vacuum, thus forcing the closing mechanism to open. This in turn allows the rubber diaphragm to open, and connects the bowl to the vacuum pipe line.

Closing sequence:

The vacuum pulse enters to the relief valve. The relief valve opens the port between atmospheric air and the discharge valve. Atmospheric air enters to the discharge valve which closes immediately. After a short delay the atmospheric air pulse reaches to the water valve and the relief valve. The water valve closes and lets a certain level of water at the bottom in the bowl.

Maintenance

See document 002034-1 for scheduled maintenance.

VACUUM TOILET

EVAC 910, WALL MODELS AND FLOOR MODELS

Cleaning instruction for the seat

- The seat is easy to clean, with just a few simple directions for you to observe.
- Use a mild soap solution or biological cleaners.
- Seat and hinges should not be left damp, but be dried with a soft cloth.
- When using abrasive, corrosive or chlorine based cleaners for the bowl, avoid contact with the seat and hinges. Therefore, when cleaning the bowl, make sure that seat and cover are in an upright position until all the cleaner has been flushed away.

Scheduled maintenance program

Maintenance Program is based on 20 toilet flushes per day and 20 years operation.

Every year:

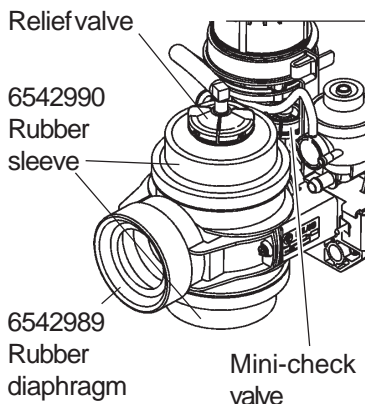
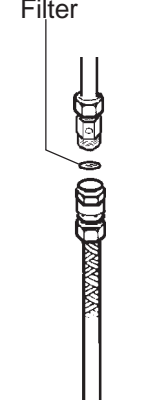
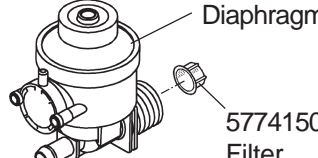
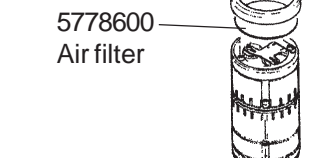
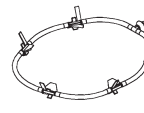
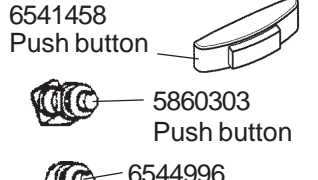
- Change flap of Mini-check valve in every toilet.
- Check operation, push button, seat and cover, rinse pattern, discharge pattern.
- Check possible water and vacuum leakage.
- Clean Filter (not in USPH models) in water supply.

Every 5 years:

- Change Flap of mini-check valve in every toilet.
- Open and clean Water valve filter 5774150.
- Clean Control mechanism air filter 5778600.
- Check operation, push button, seat and cover, rinse pattern, discharge pattern.
- Check possible water and vacuum leakage.
- Check Flushing ring 6541025 or 6540968 and flushing operation.

Every 10 years:

- Change Flap of mini-check valve in every toilet.
- Change Discharge valve rubbers: Rubber sleeve 6542990 (2pcs), Rubber diaphragm 6542989 and Diaphragm 6543134 in relief valve.
- Change Water valve diaphragm 5774400.
- Open and clean Water valve filter 5774150.
- Clean Control mechanism air filter 5778600.
- Check operation, push button, seat and cover, rinse pattern, discharge pattern.
- Check possible water and vacuum leakage.
- Check Flushing ring 6541025 or 6540968 and flushing operation.

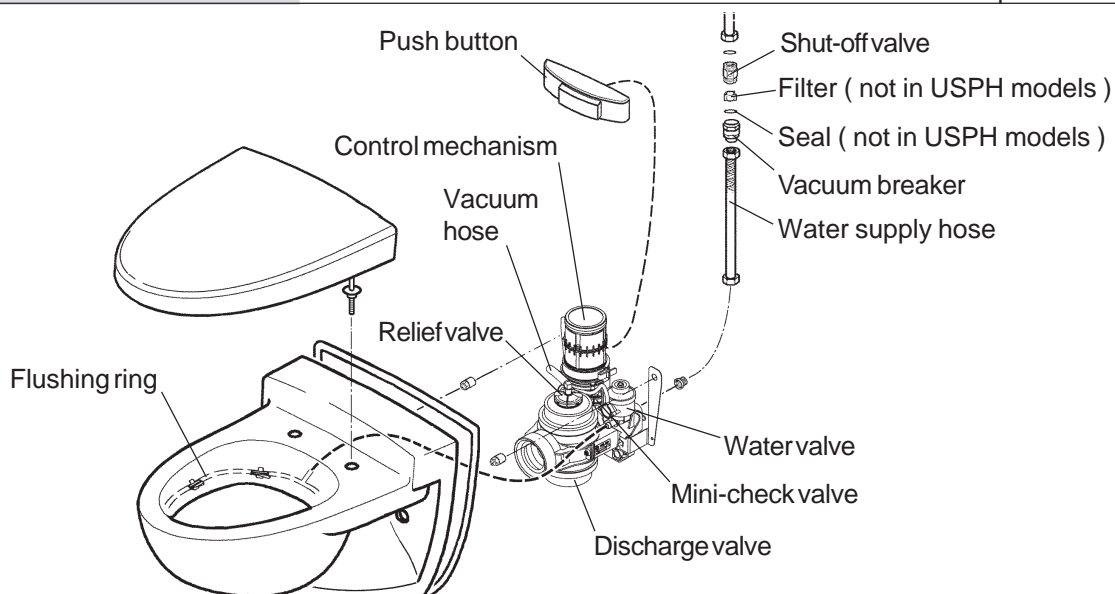
<p>Discharge valve</p>  <p>Relief valve</p> <p>6542990 Rubber sleeve</p> <p>6542989 Rubber diaphragm</p> <p>Mini-check valve</p>	<p>Water supply</p>  <p>Filter</p>	<p>Water valve</p>  <p>5774400 Diaphragm</p> <p>5774150 Filter</p>	<p>Control mechanism</p>  <p>5778600 Air filter</p>
		<p>Flushing ring</p>  <p>Floor models: 6541025 Flushing ring</p> <p>Wall models: 6540968 Flushing ring</p>	<p>Pneumatic push buttons</p>  <p>6541458 Push button</p> <p>5860303 Push button</p> <p>6544996 Push button</p>

! NOTE: Use only genuine Evac spare parts.

VACUUM TOILET

EVAC 910, WALL MODELS

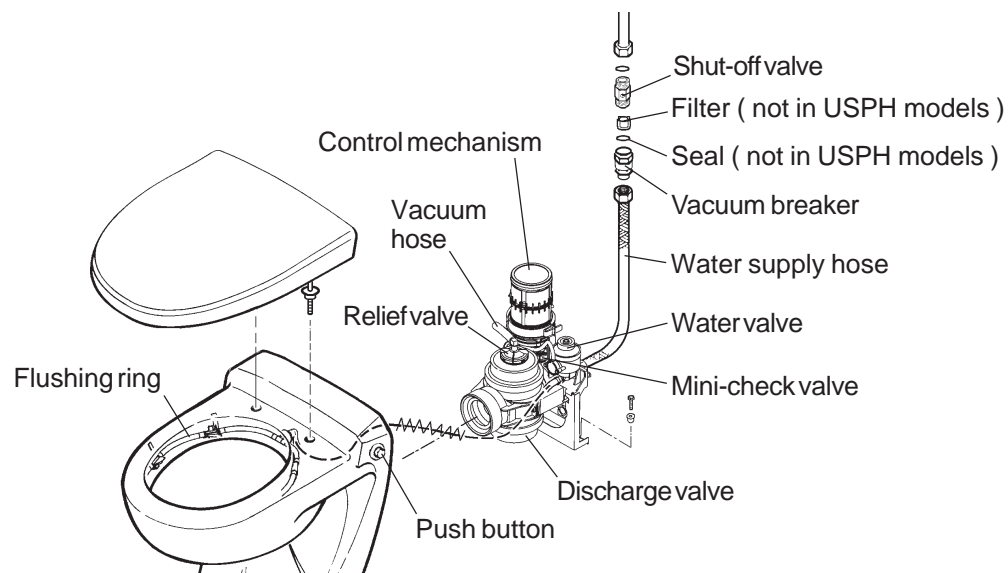
Trouble	Cause	Remedy
Toilet is discharging continuously (discharge valve open)	<ul style="list-style-type: none"> Foreign object in bowl or in discharge valve Blocked air relief tubing Quick relief valve malfunction 	<ul style="list-style-type: none"> Shut off the problematic branch line valve Remove foreign object Change discharge valve Check and if necessary change control mechanism Check relief valve operation
Bowl does not become empty when flushed	<ul style="list-style-type: none"> Discharge valve blocked Leak in discharge valve housing Discharge pipe blocked Rubber sleeves leaking 	<ul style="list-style-type: none"> Clear stoppage, if any, in discharge valve Sharp tools may damage rubber Check that rubber sleeves are undamaged and correctly fitted Check relief valve operation
No water or too little rinsing water	<ul style="list-style-type: none"> Water shut-off valve closed No water pressure Filter full or dirt in water valve Flush ring loose Flush ring clogged Filter blocked up in water supply 	<ul style="list-style-type: none"> Open valve Provide water pressure Clean filter Connect flushing ring Clean flushing ring Clean filter
Toilet is overflowing	<ul style="list-style-type: none"> Water valve jammed in open position Bowl clogged or discharge valve not operating Misuse (buckets of water thrown in the bowl) Too low vacuum (less than 30%) to flush 	<ul style="list-style-type: none"> Close water shut-off valve Clean / change water valve nozzles, springs, rubbers Discharge bowl, valve and piping with normally flushing
Toilet does not flush.	<ul style="list-style-type: none"> No vacuum or low vacuum (less than 30kPa) Clogged mini-check valve No impulse from push button Jammed control mechanism Jammed quick relief valve 	<ul style="list-style-type: none"> Check vacuum level, remove blockage in piping Clean / change mini-check valve Check hoses and membrane of push button Change control mechanism Check air filter condition. It should be place. Check relief valve operation



VACUUM TOILET

EVAC 910, FLOOR MODELS

Trouble	Cause	Remedy
Toilet is discharging continuously (discharge valve open)	<ul style="list-style-type: none"> Foreign object in bowl or in discharge valve Blocked air relief tubing Quick relief valve malfunction 	<ul style="list-style-type: none"> Shut off the problematic branch line valve Remove foreign object Change discharge valve Check and if necessary change control mechanism Check relief valve operation
Bowl does not become empty when flushed	<ul style="list-style-type: none"> Discharge valve blocked Leak in discharge valve housing Discharge pipe blocked Rubber sleeves leaking 	<ul style="list-style-type: none"> Clear stoppage, if any, in discharge valve Sharp tools may damage rubber Check that rubber sleeves are undamaged and correctly fitted Check relief valve operation
No water or too little rinsing water	<ul style="list-style-type: none"> Water shut-off valve closed No water pressure Filter full or dirt in water valve Flush ring loose Flush ring clogged Filter blocked up in water supply 	<ul style="list-style-type: none"> Open valve Provide water pressure Clean filter Connect flushing ring Clean flushing ring Clean filter
Toilet is overflowing	<ul style="list-style-type: none"> Water valve jammed in open position Bowl clogged or discharge valve not operating Misuse (buckets of water thrown in the bowl) Too low vacuum (less than 30%) to flush 	<ul style="list-style-type: none"> Close water shut-off valve Clean / change water valve nozzles, springs, rubbers Discharge bowl, valve and piping with normally flushing
Toilet does not flush.	<ul style="list-style-type: none"> No vacuum or low vacuum (less than 30kPa) Clogged mini-check valve No impulse from push button Jammed control mechanism Jammed quick relief valve 	<ul style="list-style-type: none"> Check vacuum level, remove blockage in piping Clean / change mini-check valve Check hoses and membrane of push button Change control mechanism Check air filter condition. It should be place. Check relief valve operation



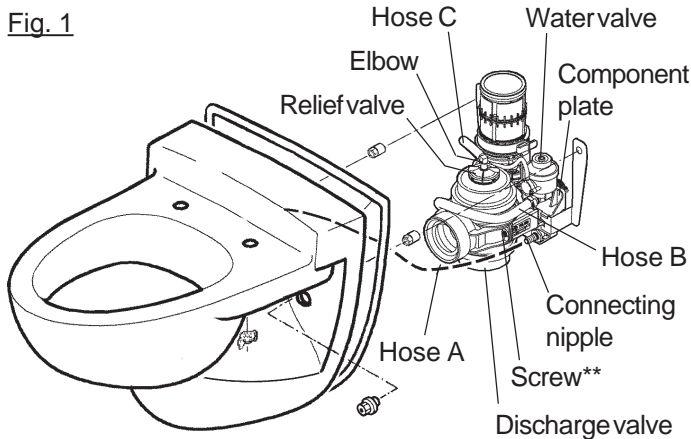
VACUUM TOILET

6543002 DISCHARGE VALVE, EVAC 910, WALL MODELS AND FLOOR MODELS

Removal of the discharge valve (wall models)

From the cabin side:

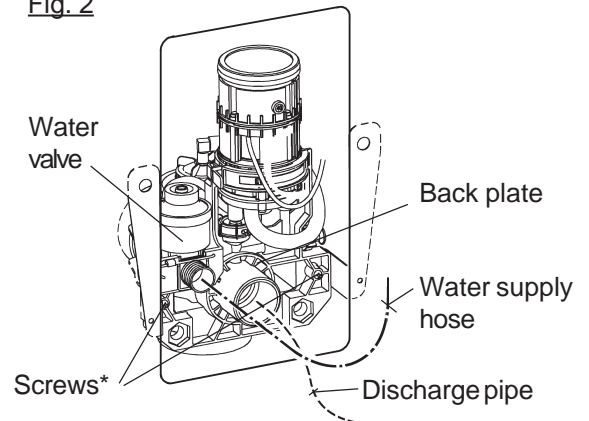
Fig. 1



1. Remove the bowl.
2. Disconnect the rubber hose A from the water valve or from the connecting nipple (only in USPH models).
3. Loose (only in USPH models) water valve from the component plate.
4. Disconnect the hose C with the elbow from the relief valve.
5. Unscrew two screws**.

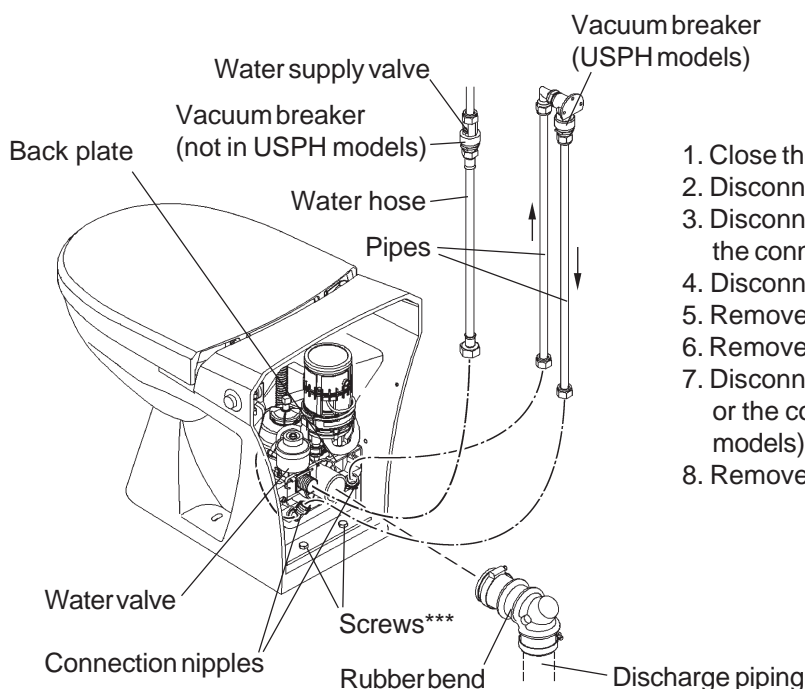
From the service space side:

Fig. 2



1. Disconnect the water supply hose from the water valve and the discharge pipe from the backplate.
2. Unscrew two screws* (see fig.2).
3. Disconnect the rubber hose A from the water valve or from the hose nipple (only in USPH models).
4. Loose (only in USPH models) water valve from the component plate.
5. Disconnect the hose from the relief valve.
6. Unscrew two screws** (see fig.1).

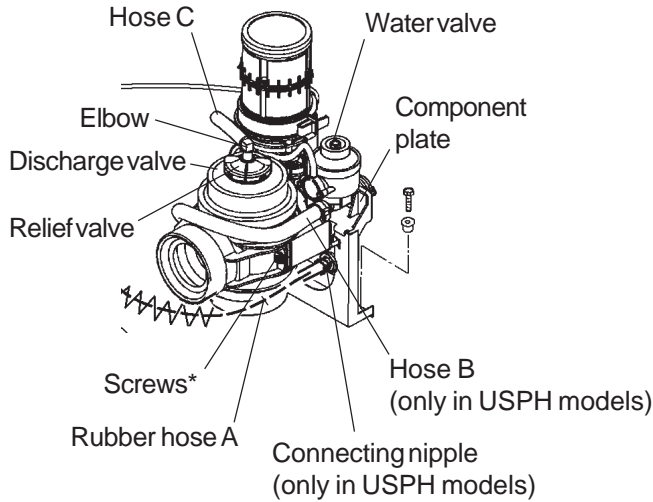
Removal of the discharge valve (floor models)



1. Close the water supply valve.
2. Disconnect the water hose from the water valve.
3. Disconnect the pipes of the vacuum breaker from the connection nipples
4. Disconnect the toilet from the rubber bend.
5. Remove the toilet if needed.
6. Remove the screws***.
7. Disconnect the rubber hose A from the water valve or the connecting nipple (only in the USPH models).
8. Remove the back plate.

VACUUM TOILET

6543002 DISCHARGE VALVE, EVAC 910, WALL MODELS AND FLOOR MODELS



9. Loosen (only in the USPH models) water valve from the component plate.
10. Disconnect the hose from the relief valve.
11. Unscrew two screws*.

Dismantling of the discharge valve

Fig. 3

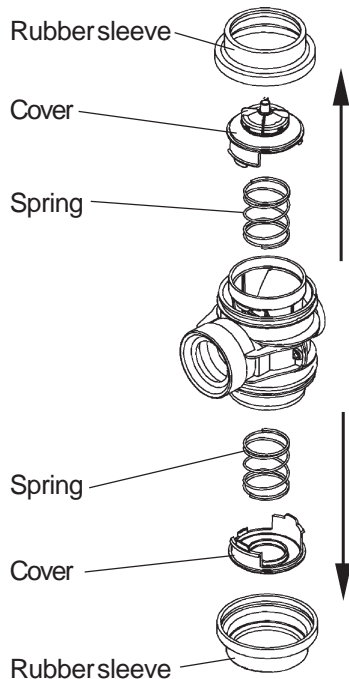
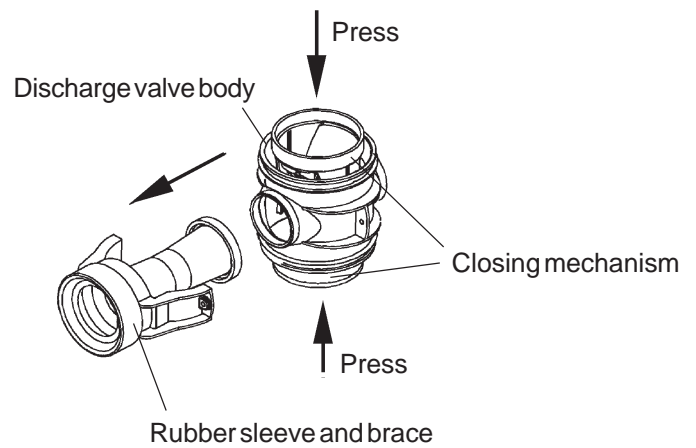


Fig. 4



1. Remove the rubber sleeves, the covers and the springs. (see fig.3).
2. Press lightly the closing mechanisms and remove the rubber sleeve with the brace (see fig.4).



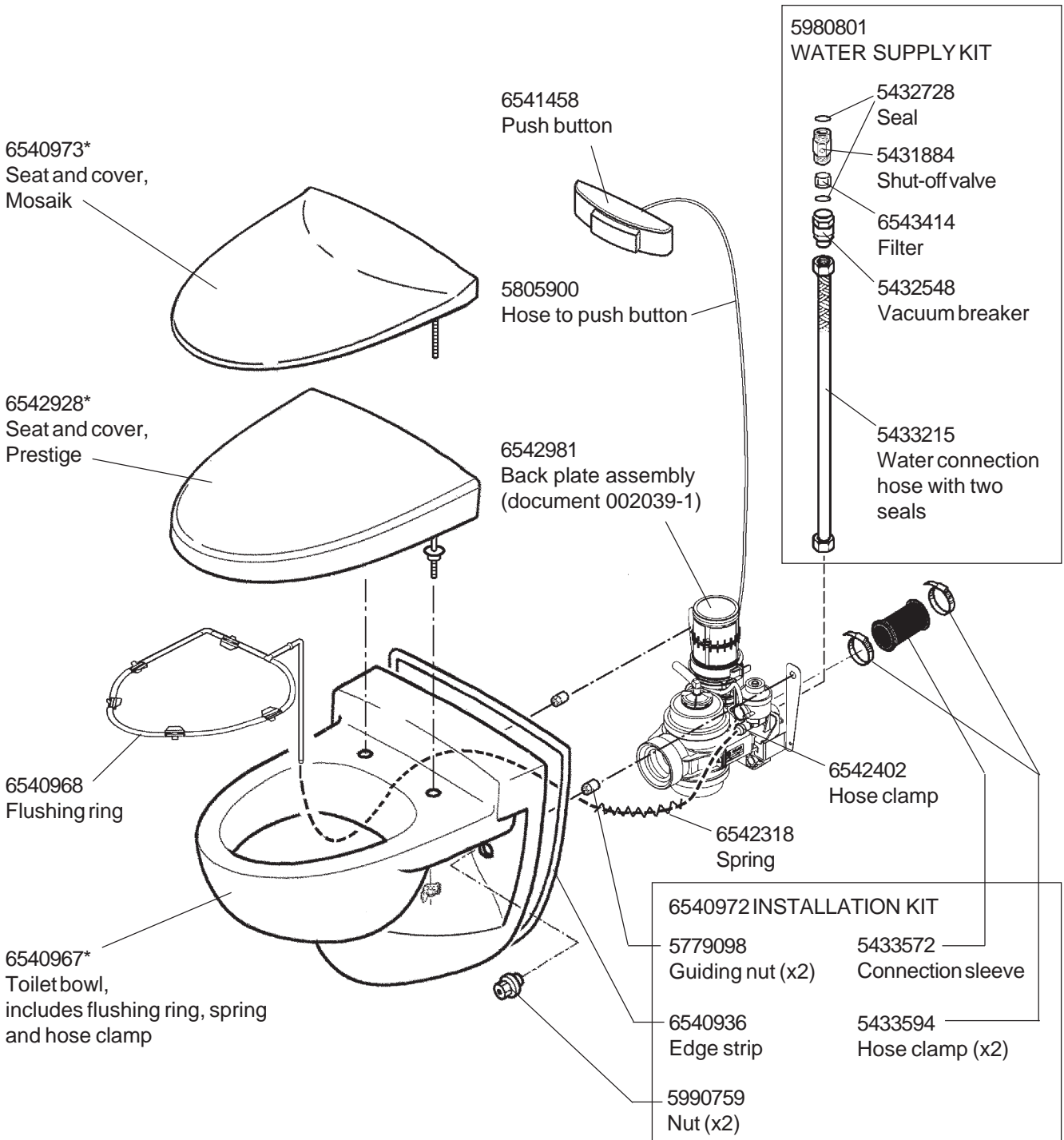
VACUUM TOILET

6543418 EVAC 910, WALL MODEL, PRESTIGE SILENT, WHITE

6543419 EVAC 910, WALL MODEL, MOSAIK, WHITE

P/N 6543418 includes Prestige seat and cover (P/N 6542928)

P/N 6543419 includes Mosaik seat and cover (P/N 6540973)



!NOTE: *When ordering:
Toilet bowl - state type and standard colour
Seat and cover - state type and standard colour

VACUUM TOILET

6543420 EVAC 910, WALL MODEL USPH, PRESTIGE SILENT

6543421 EVAC 910, WALL MODEL USPH, MOSAIK

6544766 EVAC 910, WALL MODEL USPH, OPEN FRONT

P/N 6543420 includes Prestige seat and cover (P/N 6542928)

P/N 6543421 includes Mosaik seat and cover (P/N 6540973)

P/N 6544766 includes Open front seat and cover (P/N 5441801)

6540973*
Seat and cover,
Mosaik

6541458
Pneumatic push button

6542928*
Seat and cover,
Prestige

5805900
Hose to push button

5441801*
Seat and cover,
Open front

654982
Back plate
(document 002039-3)

6541772
WATER SUPPLY KIT
(document 6:01024i)

Shut-off valve

Connection
hose with
seals

Vacuum
breaker

6540968
Flushing
ring

6540967*
Toilet bowl,
includes flushing ring, spring and hose clamp

6542402
Hose clamp

6542318
Spring

6540972 INSTALLATIONKIT

5779098
Guiding nut (x2)

6540936
Edge strip

5990759
Nut (x2)

5433594
Hose clamp (x2)

5433572
Connection sleeve

!NOTE: *When ordering:
Toilet bowl - state type and standard colour
Seat and cover - state type and standard colour



VACUUM TOILET

6545825 EVAC 910, FLOOR MODEL, SILENT (EVACINHUSH)

6545826 EVAC 910, FLOOR MODEL, ANIARA

P/N 6543422 is replaced by P/N 6545825

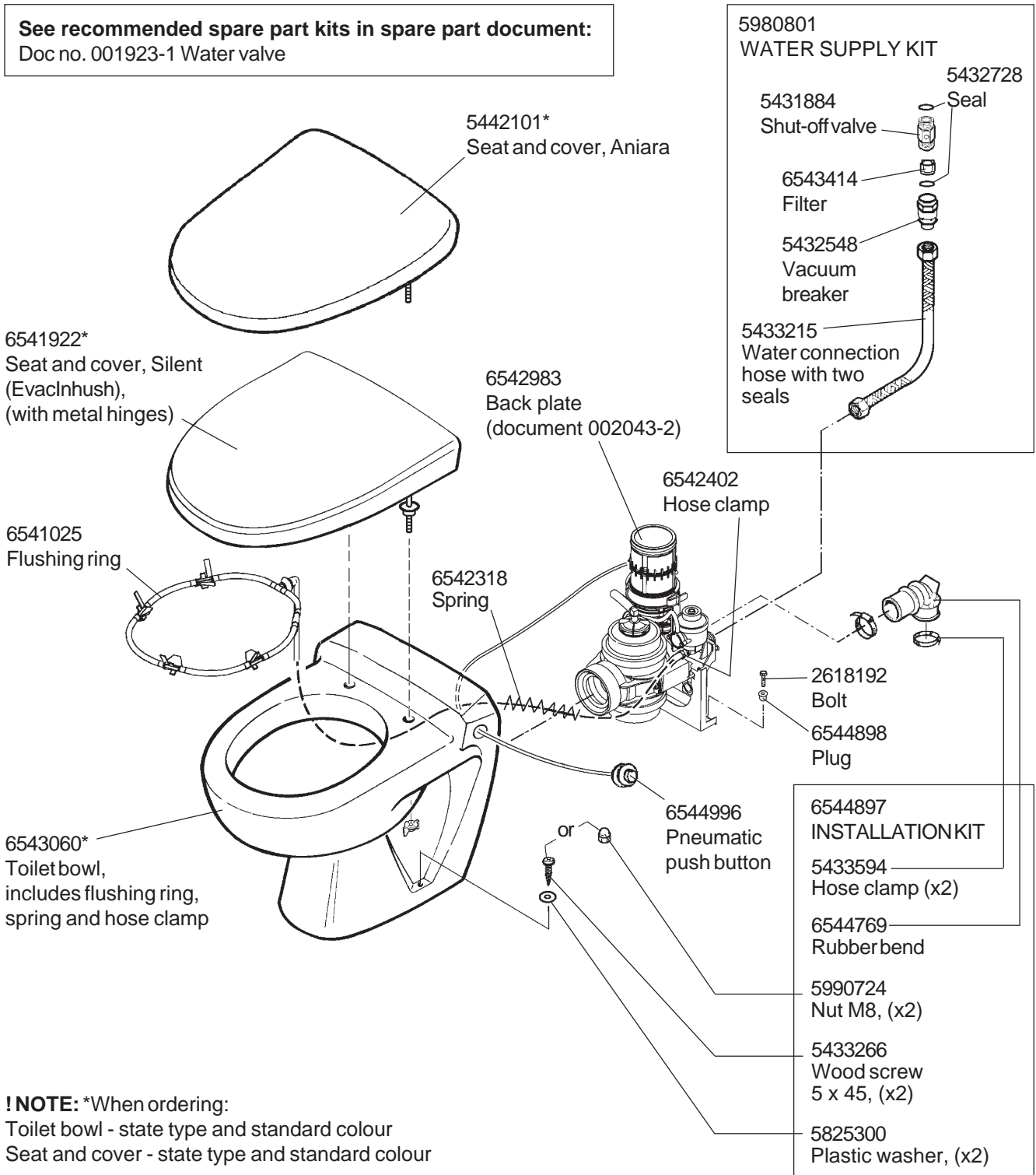
P/N 6543423 is replaced by P/N 6545826

P/N 6545825 includes Silent (EvacInhush) seat and cover (P/N 6541922)

P/N 6545826 includes Aniara seat and cover (P/N 5442101)

See recommended spare part kits in spare part document:

Doc no. 001923-1 Water valve



!NOTE: *When ordering:
Toilet bowl - state type and standard colour
Seat and cover - state type and standard colour

**EVAC****Commercial Marine Equipment**

Date: 21 Oct 2009

Doc. 002254-2

SPARE PARTS

VACUUM TOILET

6545827 EVAC 910, FLOOR MODEL USPH, SILENT (EVACINHUSH)

6545828 EVAC 910, FLOOR MODEL USPH, ANIARA

6545829 EVAC 910, FLOOR MODEL USPH, OPEN FRONT

P/N 6543424 is replaced by P/N 6545827

P/N 6543425 is replaced by P/N 6545828

P/N 6544797 is replaced by P/N 6545829

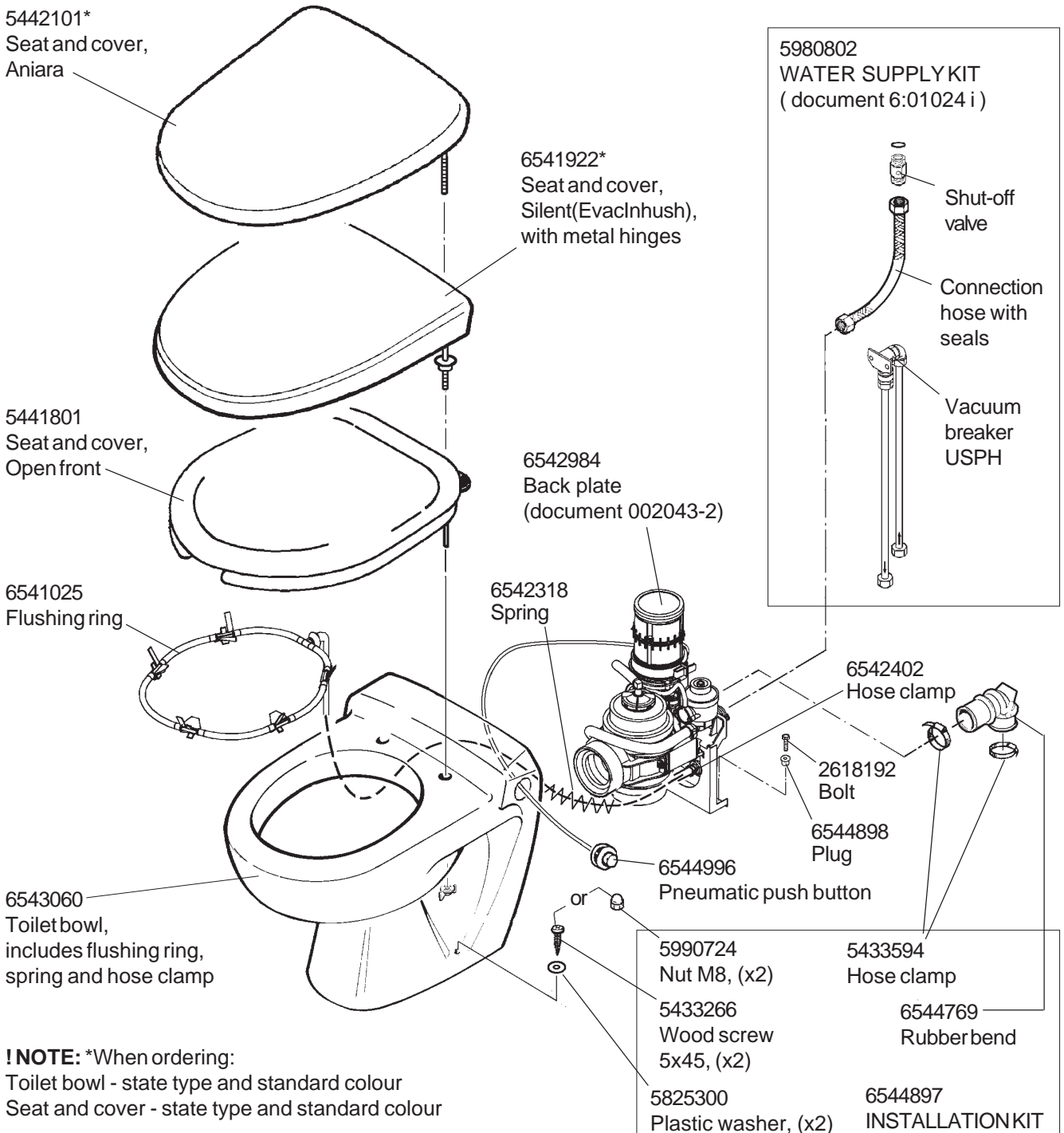
**See recommended part kits
in spare part document:**

Doc no. 001923-2 Water valve

P/N 6543424 includes Silent (EvacInhush) seat and cover (P/N 6541922)

P/N 6543425 includes Aniara seat and cover (P/N 5442101)

P/N 6544797 includes Open front seat and cover (P/N 5441801)

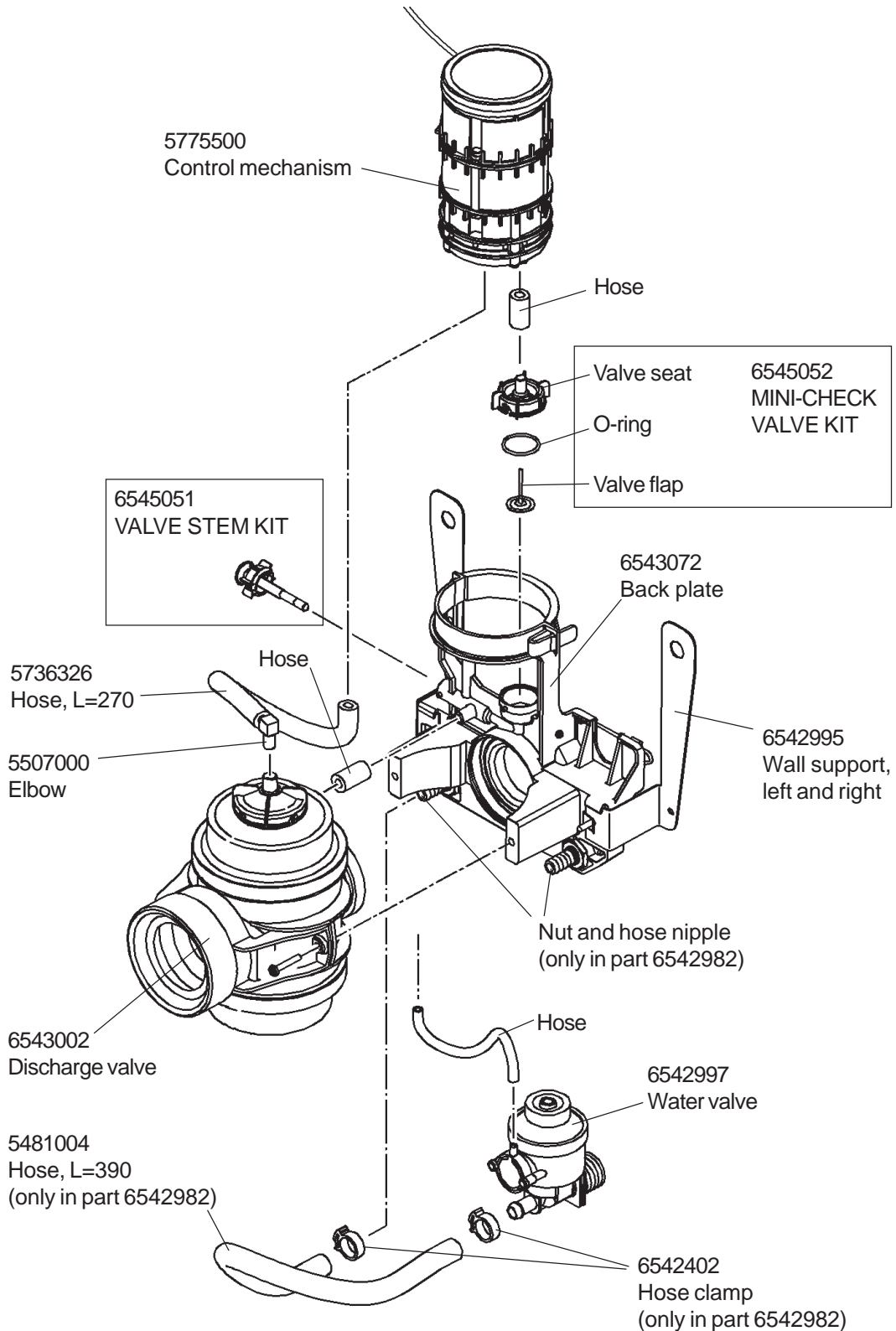




VACUUM TOILET

6542981 BACK PLATE ASSEMBLY, EVAC 910, WALL MODELS

6542982 BACK PLATE ASSEMBLY, EVAC 910, WALL MODELS USPH

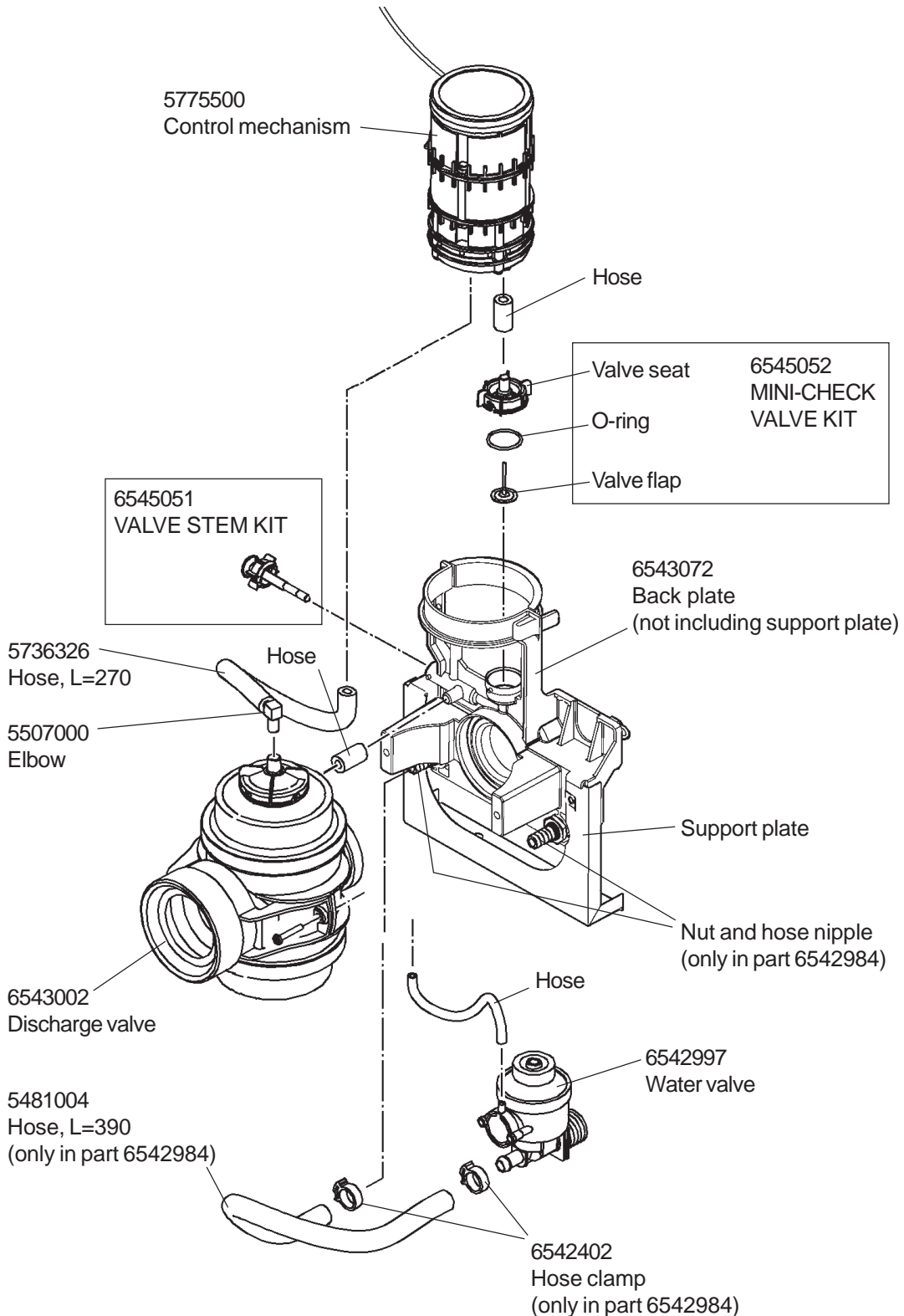




VACUUM TOILET

6542983 BACK PLATE, EVAC 910, FLOOR MODELS

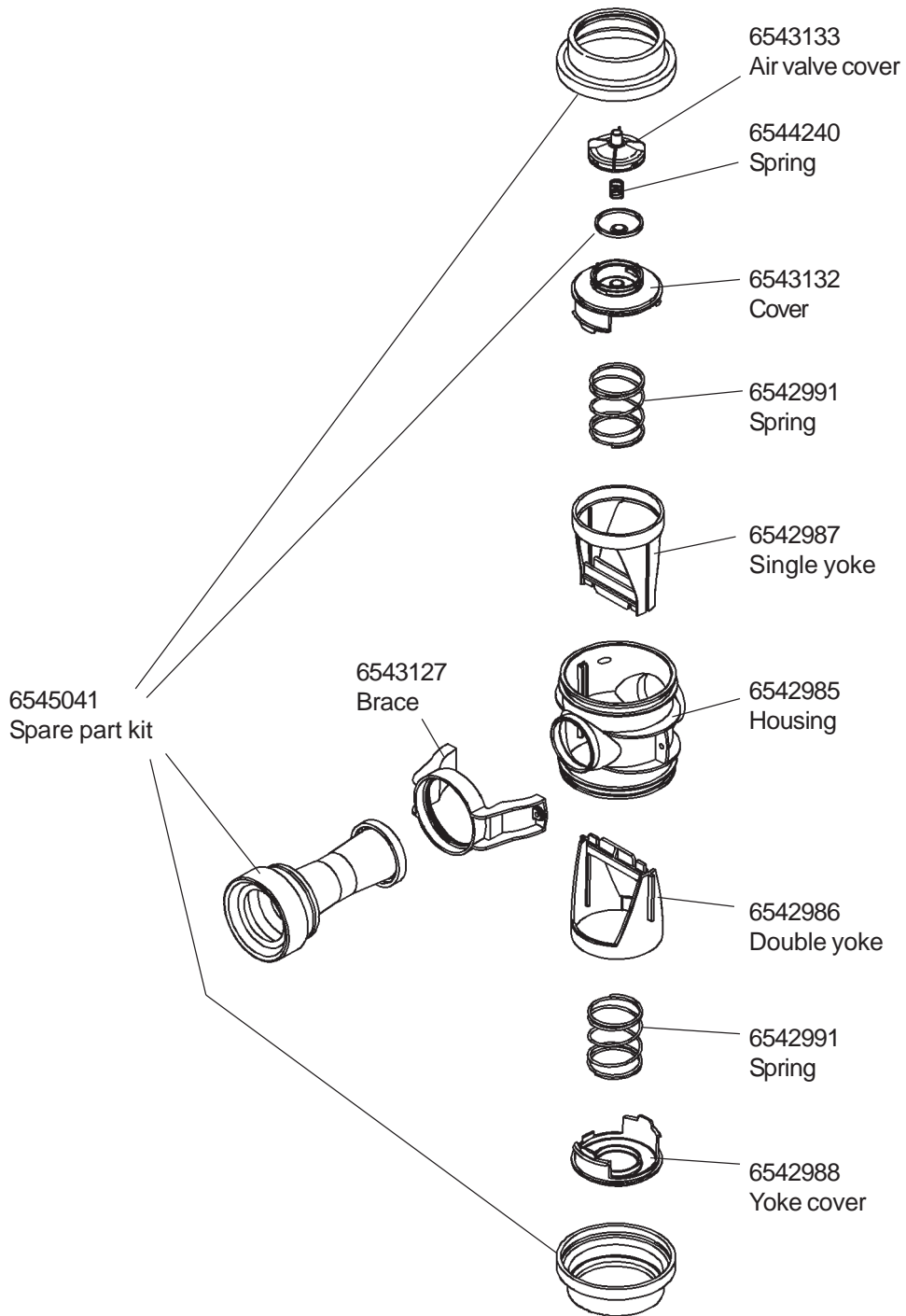
6542984 BACK PLATE, EVAC 910, FLOOR MODELS USPH





VACUUM TOILET

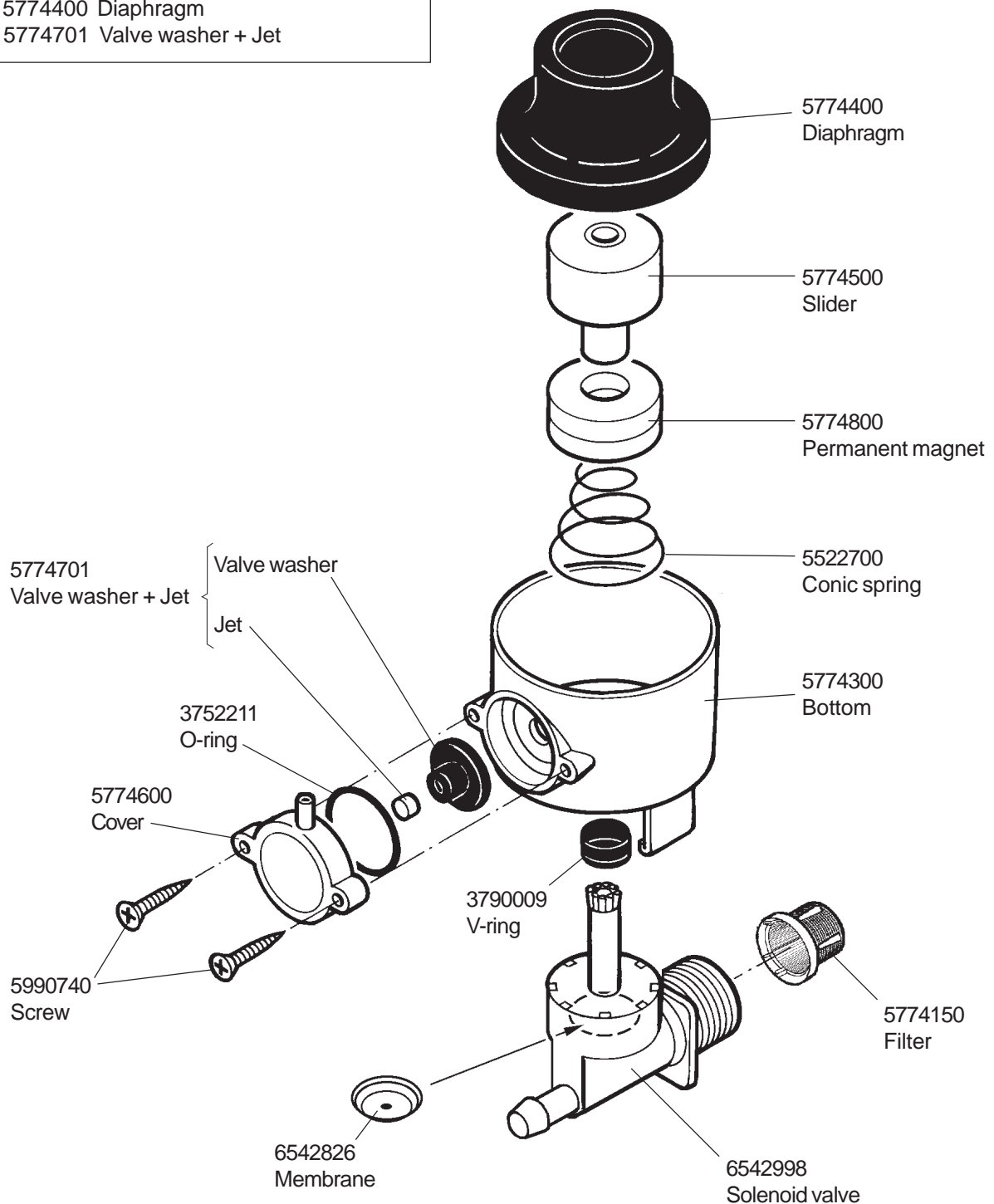
6543002 DISCHARGE VALVE



VACUUM TOILET

6542997 WATER VALVE
6543030 RECOMMENDED SPARE PART KIT:

- 1 x 3790009 V-ring
- 1 x 5774150 Filter
- 1 x 5774400 Diaphragm
- 1 x 5774701 Valve washer + Jet



VACUUM TOILET

5775500 CONTROL MECHANISM
5881000 SPARE PART KIT FOR THE CONTROL MECHANISM

P/N 5775500 Control mechanism

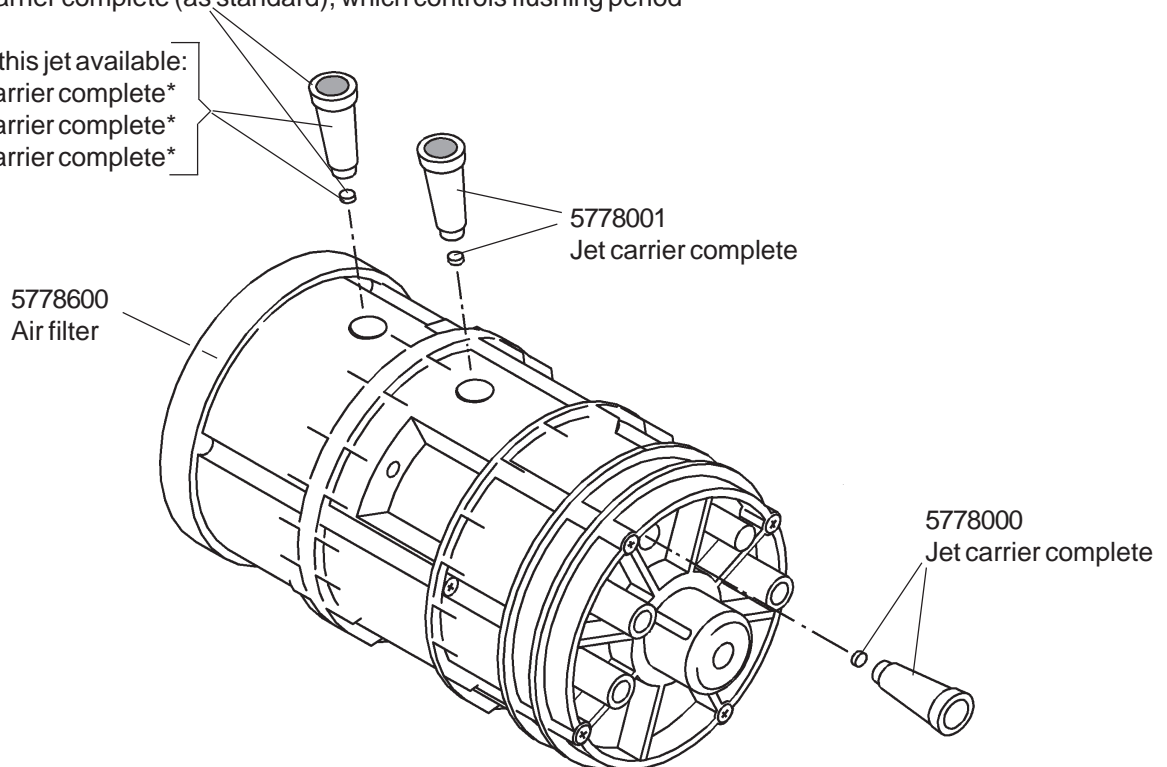
5778001 Jet carrier complete (as standard), which controls flushing period

Alternative for this jet available:

5778000 Jet carrier complete*

5778002 Jet carrier complete*

5778004 Jet carrier complete*


***Jet Carrier identification:**

P/N	Colour	Size	Effect
5778004	Yellow	0.20	Extra long flushing period
5778000	White	0.30	Long flushing period
5778001	Blue	0.40	Normal flushing period
5778002	Red	0.50	Short flushing period

!NOTE: See also document 3:111 i, Control mechanism for Evac 900 model toilets.
See also document 002032-1, Control mechanism for Evac 910 model toilets.

P/N 5881000 Spare part kit for the control mechanism:

P/N	Description	Pcs
5778600	Air filter	1
5778001	Jet carrier complete	2
5778000	Jet carrier complete	1
5778700	Filter	1
5959902	Mini-check valve	1

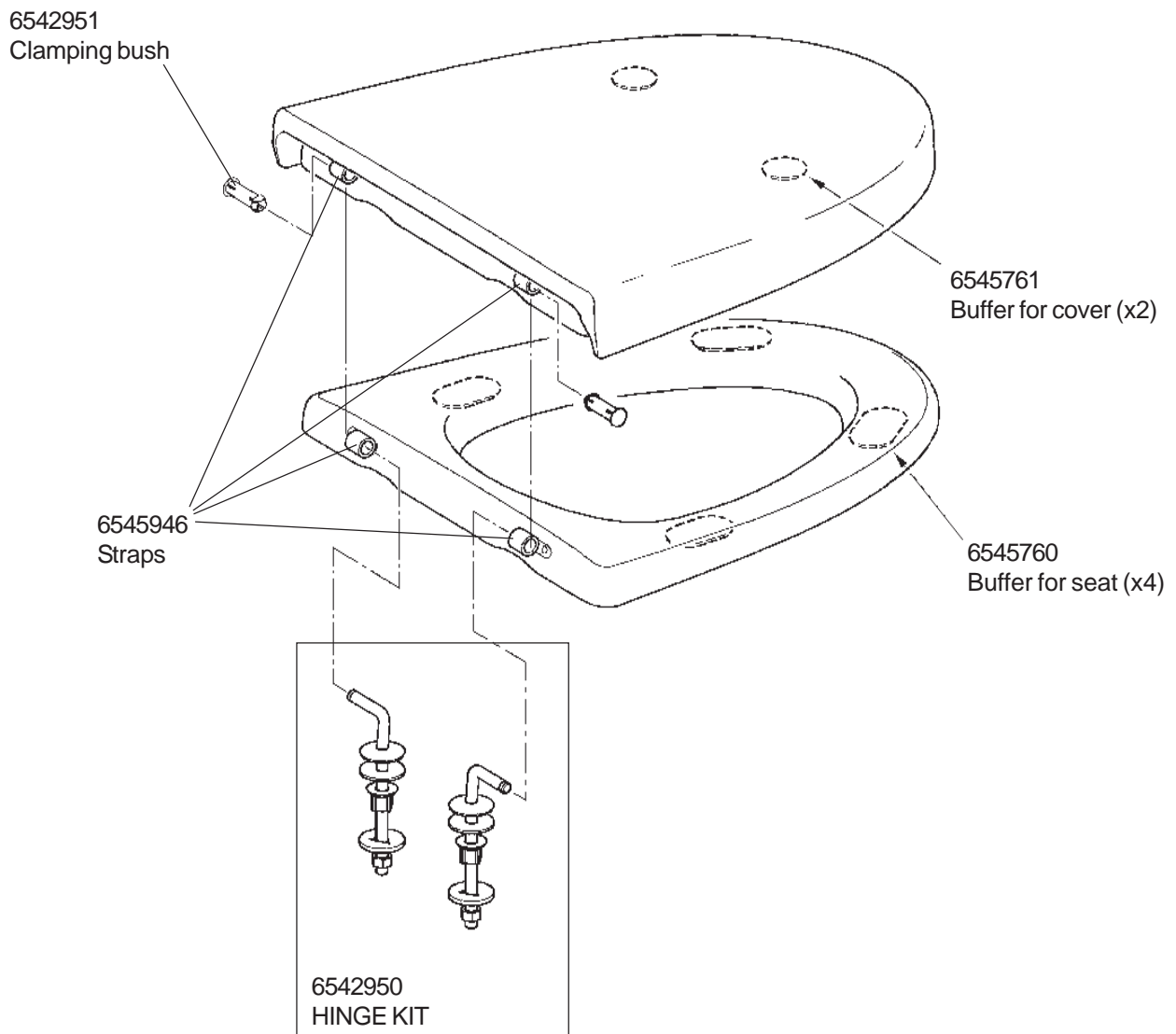


VACUUM TOILET

6542928 PRESTIGE, SEAT AND COVER, EVACINHUSH FOR EVAC 900 AND 910 WALL MODEL TOILETS

! NOTE: Seat and cover sold as complete only.

Prestige seat and cover fulfills ANSI Z124.5 - 1997 [Plastic Toilet (Water closet) Seats] requirements.

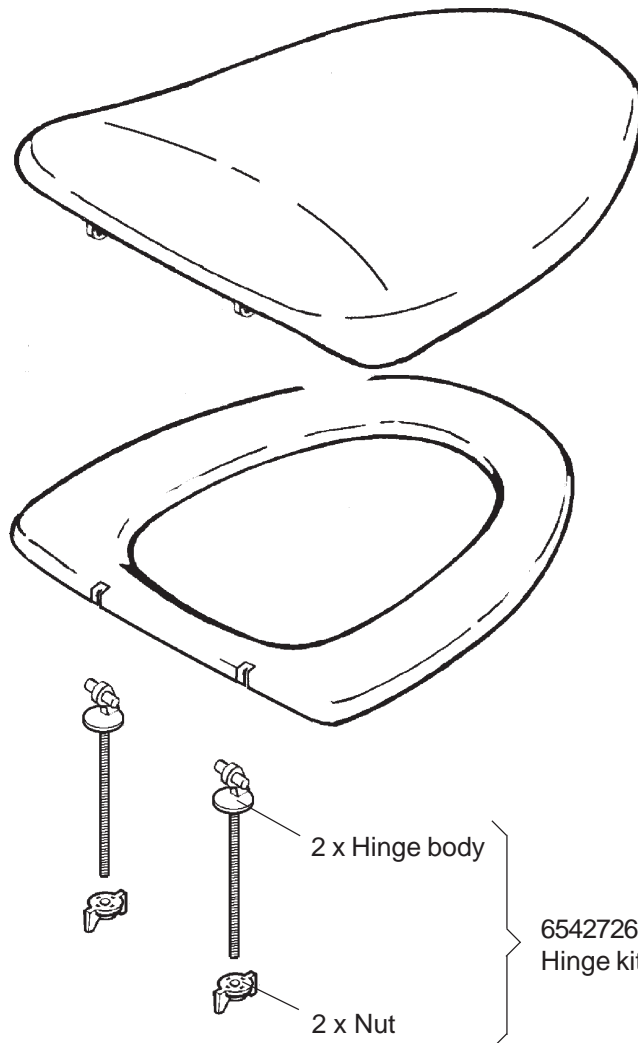


VACUUM TOILET

6540973 SEAT AND COVER, MOSAIK, EVAC 900 AND EVAC 910, WALL MODEL

! NOTE; When ordering: Seat and cover -state type and colour.

! NOTE: Seat and cover sold as complete only.

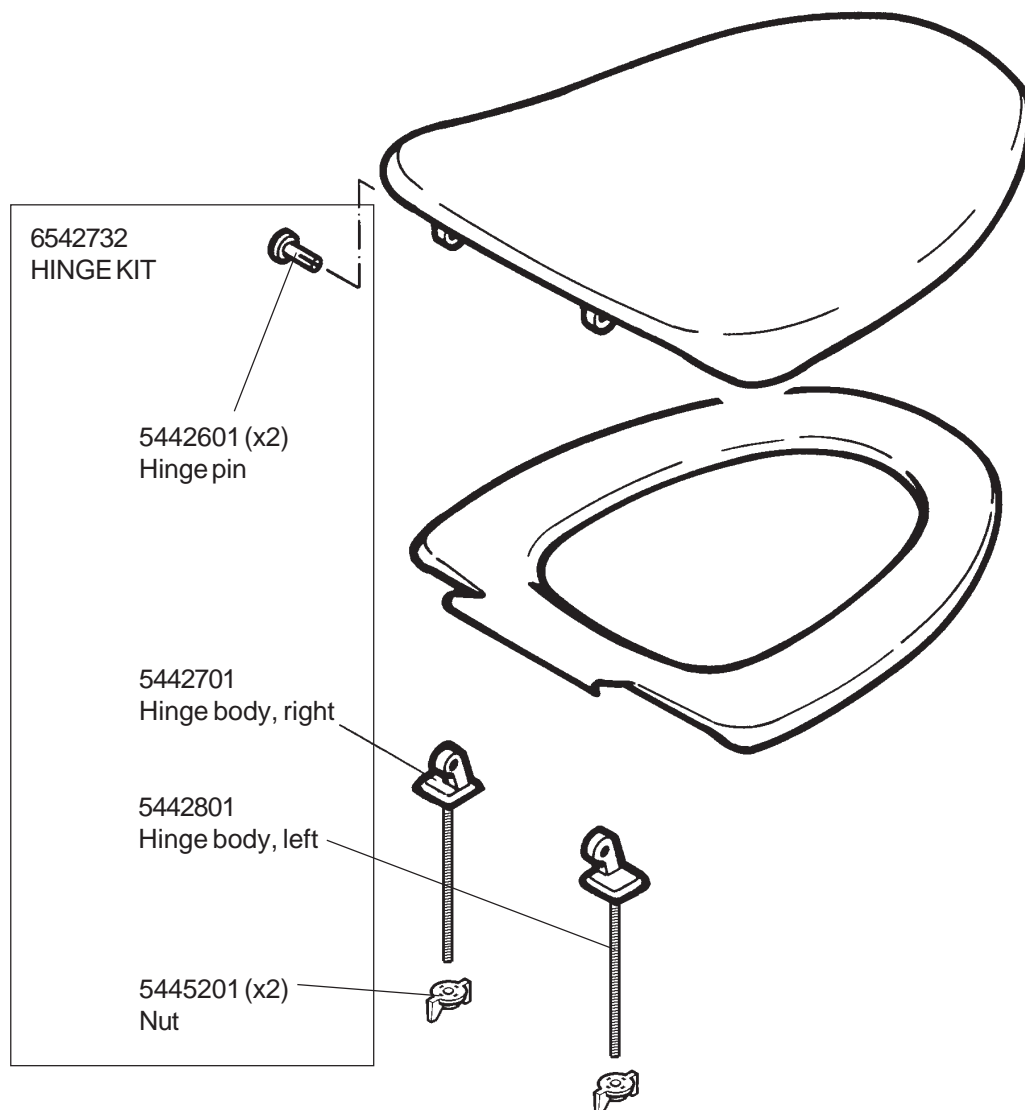


VACUUM TOILET

5442101 SEAT AND COVER, ANIARA FOR EVAC 90 WALL AND FLOOR MODELS, EVAC 900 AND EVAC 910 FLOOR MODELS

! NOTE: When ordering: Seat and cover -state type and colour.

! NOTE: Seat and cover sold as complete only.



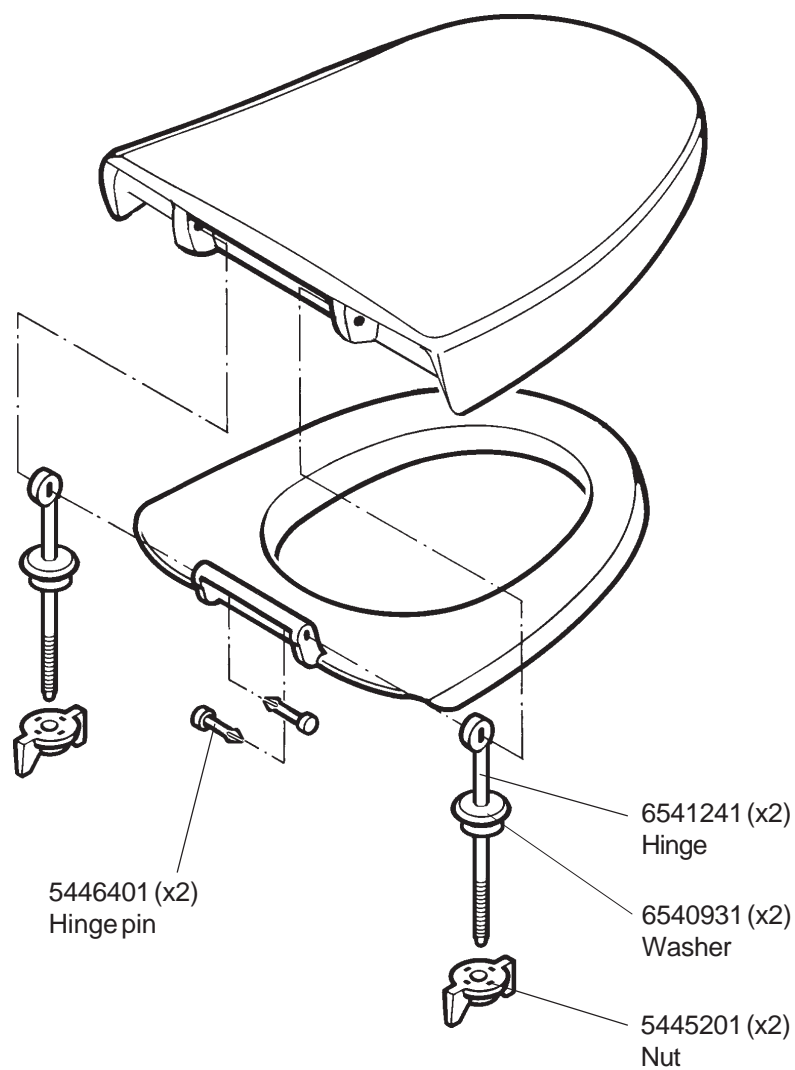
VACUUM TOILET

6541922 EVACINHUSH, SILENT SEAT AND COVER FOR EVAC 90 WALL AND FLOOR, EVAC 900 AND EVAC 910 FLOOR MODELS

P/N 5446101 is replaced by P/N 6541922.

! NOTE: Seat and cover sold as complete only.

! NOTE; When ordering: Seat and cover -state type and colour.



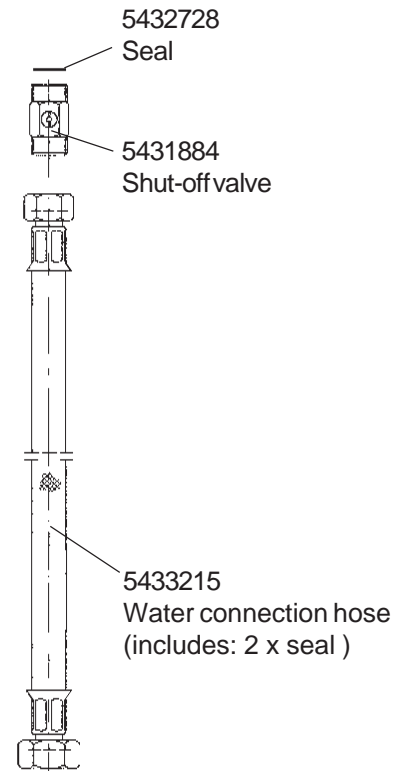
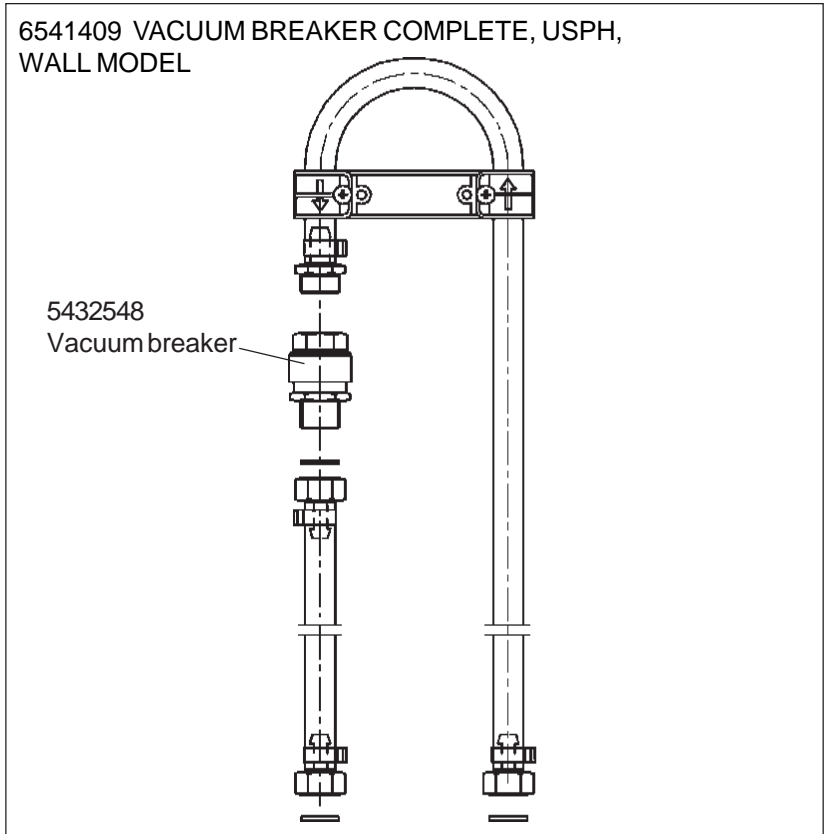


VACUUM TOILET

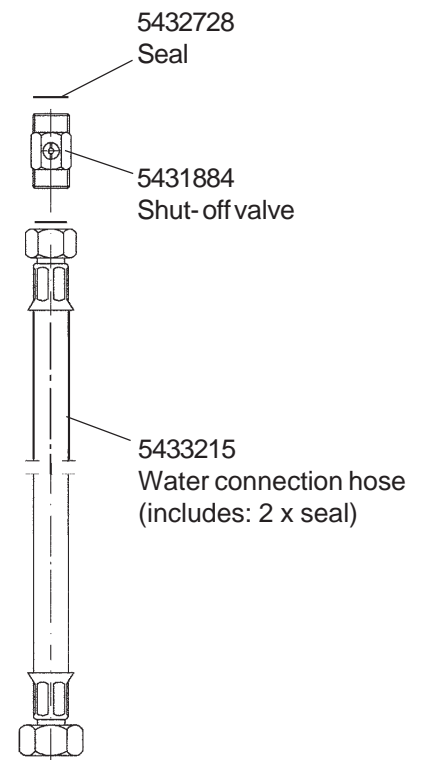
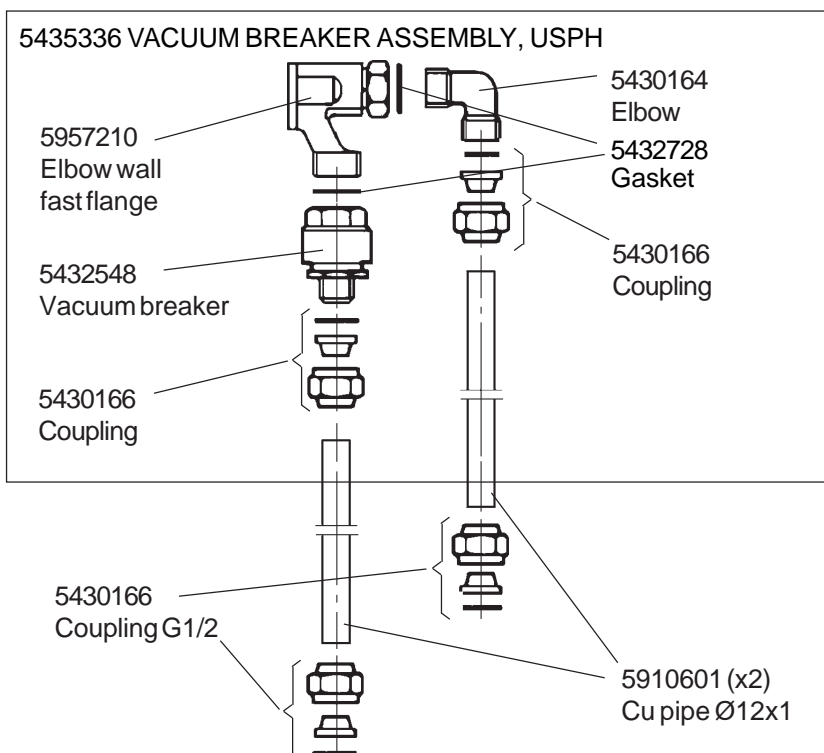
6541772 WATER SUPPLY KIT, USPH, FOR EVAC 900 AND EVAC 910 TOILETS, WALL MODELS

5980802 WATER SUPPLY KIT, USPH, FOR EVAC 90, EVAC 900 AND EVAC 910 TOILETS, FLOOR MODELS

P/N 6541772 Water supply kit, USPH



P/N 5980802 Water supply kit, USPH



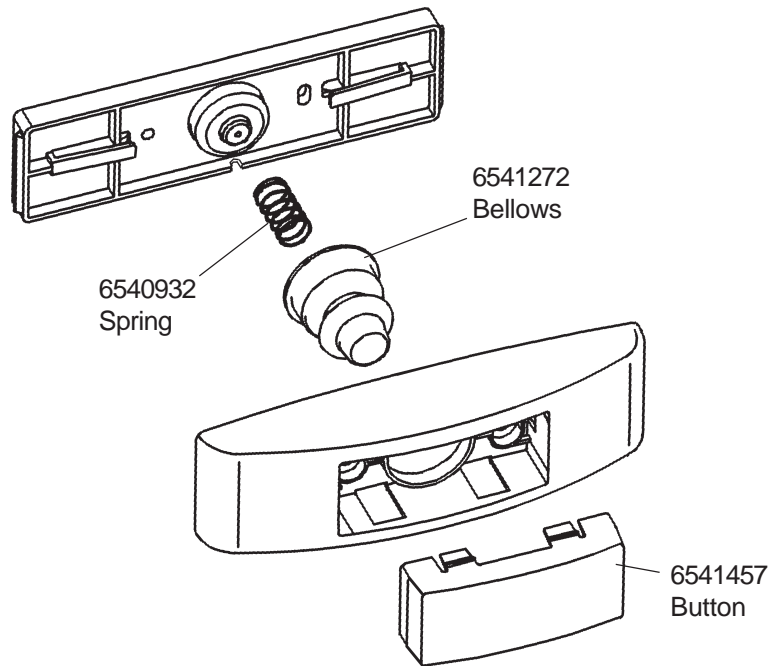
VACUUM TOILET

6541458 PNEUMATIC PUSH BUTTON, EVAC 900 AND EVAC 910, WALL MODELS

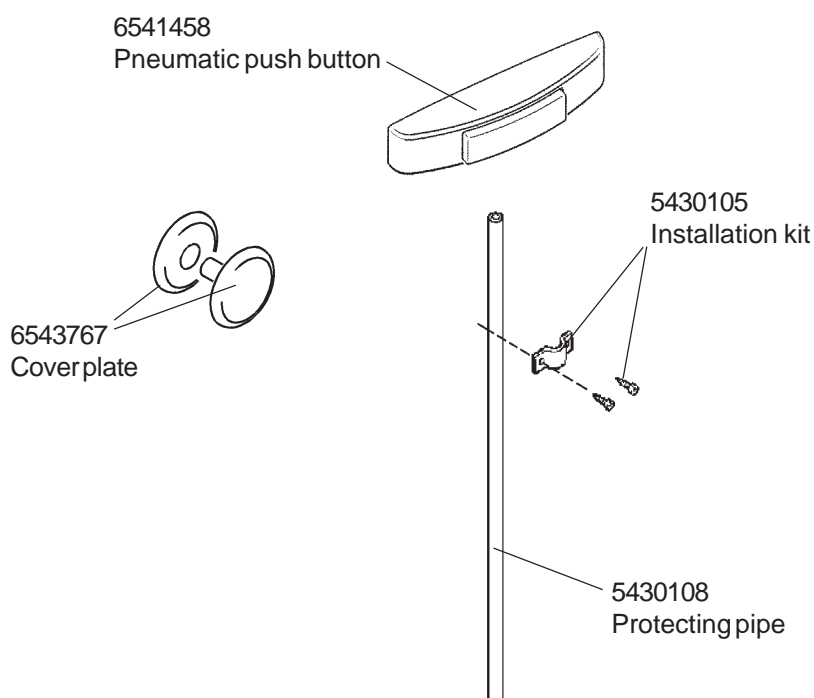
6541057 OPTIONAL PNEUMATIC PUSH BUTTON KIT, EVAC 900 AND EVAC 910, FLOOR MODELS

P/N 6541458 Pneumatic push button

P/N 6540917 is replaced by P/N 6541458



P/N 6541057 Optional pneumatic push button kit



VACUUM TOILET

6544996 PNEUMATIC PUSH BUTTON FOR EVAC 910 FLOOR MODELS

