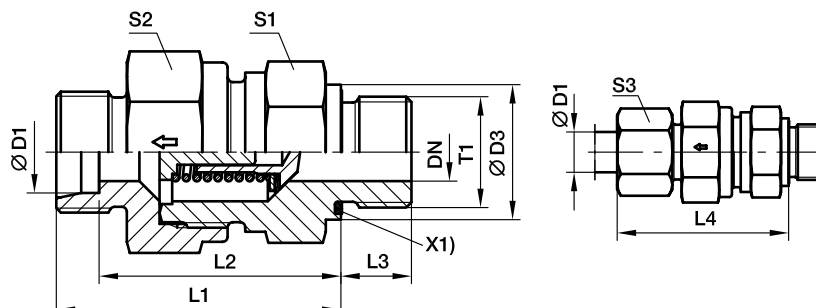


## RHV-R-ED Non return valve

EO 24° cone end / Male BSPP thread – ED-seal (ISO 1179)



X1) Eolastic sealing

Series	D1	T1	DN	D3	L1	L2	L3	L4	S1	S2	S3	Weight g/1 piece	Order code*	PN (bar) <sup>1)</sup>		
														CF	A3C	71
L <sup>3)</sup>	06	G 1/8 A	3.5	14	35	28.0	8	42.5	17	17	14	47	<b>RHV06LREDOMD</b>	400	250	250
	08	G 1/4 A	5.5	19	37	30.0	12	44.5	19	19	17	62	<b>RHV08LREDOMD</b>	400	250	250
	10	G 1/4 A	7.5	19	45.5	38.5	12	53.0	22	24	19	105	<b>RHV10LREDOMD</b>	400	250	250
	12	G 3/8 A	9.5	22	49.5	42.5	12	57.0	27	30	22	175	<b>RHV12LREDOMD</b>	400	250	250
	15	G 1/2 A	11.5	27	52.5	45.5	14	60.5	27	32	27	205	<b>RHV15LREDOMD</b>	400	250	250
	18	G 1/2 A	14.0	27	57.5	50.0	14	66.0	36	36	32	294	<b>RHV18LREDOMD</b>	400	160	160
	22	G 3/4 A	18.0	32	62.5	55.0	16	71.0	41	46	36	450	<b>RHV22LREDOMD</b>	250	160	160
	28	G 1 A	23.0	40	70.5	63.0	18	79.5	50	55	41	720	<b>RHV28LREDOMD</b>	250	100	100
	35	G 1 1/4 A	29.0	50	79.5	69.0	20	90.5	60	60	50	1050	<b>RHV35LREDOMD</b>	250	100	100
	42	G 1 1/2 A	29.0	55	79.5	68.5	22	91.0	65	70	60	1560	<b>RHV42LREDOMD</b>	250	100	100
S <sup>4)</sup>	06	G 1/4 A	3.5	19	38.5	31.5	12	46.0	19	19	17	73	<b>RHV06SREDOMD</b>	420	400	400
	08	G 1/4 A	3.5	19	38.5	31.5	12	46.0	19	19	19	79	<b>RHV08SREDOMD</b>	420	400	400
	10	G 3/8 A	5.5	22	45.5	38.0	12	54.0	22	24	22	132	<b>RHV10SREDOMD</b>	420	400	400
	12	G 3/8 A	7.5	22	48.5	41.0	12	57.0	24	27	24	153	<b>RHV12SREDOMD</b>	420	400	400
	14	G 1/2 A	9.5	27	52.5	44.5	14	62.0	27	32	27	230	<b>RHV14SREDOMD</b>	420	315	315
	16	G 1/2 A	11.5	27	56.5	48.0	14	66.0	32	36	30	293	<b>RHV16SREDOMD</b>	420	315	315
	20	G 3/4 A	15.0	32	62.5	52.0	16	73.5	41	46	36	511	<b>RHV20SREDOMD</b>	420	250	250
	25	G 1 A	19.0	40	66.5	54.5	18	78.5	46	50	46	648	<b>RHV25SREDOMD</b>	420	250	250
	30	G 1 1/4 A	24.0	50	77.5	64.0	20	90.5	60	60	50	1176	<b>RHV30SREDOMD</b>	250	250	250
	38	G 1 1/2 A	29.0	55	85.5	69.5	22	100.0	65	70	60	1624	<b>RHV38SREDOMD</b>	250	250	250

<sup>1)</sup> Pressure shown = item deliverable

<sup>3)</sup> L = light series; <sup>4)</sup> S = heavy series

$\frac{PN \text{ (bar)}}{10} = PN \text{ (MPa)}$

Delivery without nut and ring. Information on ordering complete fittings or alternative sealing materials see page 17.

\*Please add the **suffixes** below according to the material/surface required.

Order code suffixes			
Material	Suffix surface and material	Example	Standard sealing material (no additional suffix needed)
Steel, zinc plated., chrome <sup>6)</sup> -free	CF	RHV06LREDOMDCF	NBR
Steel, zinc yellow plated	A3C	RHV06LREDOMDA3C	NBR
Stainless steel	71	RHV06LREDOMD71	VIT