

Chapter 7 Related Documents

7.1 Development Views

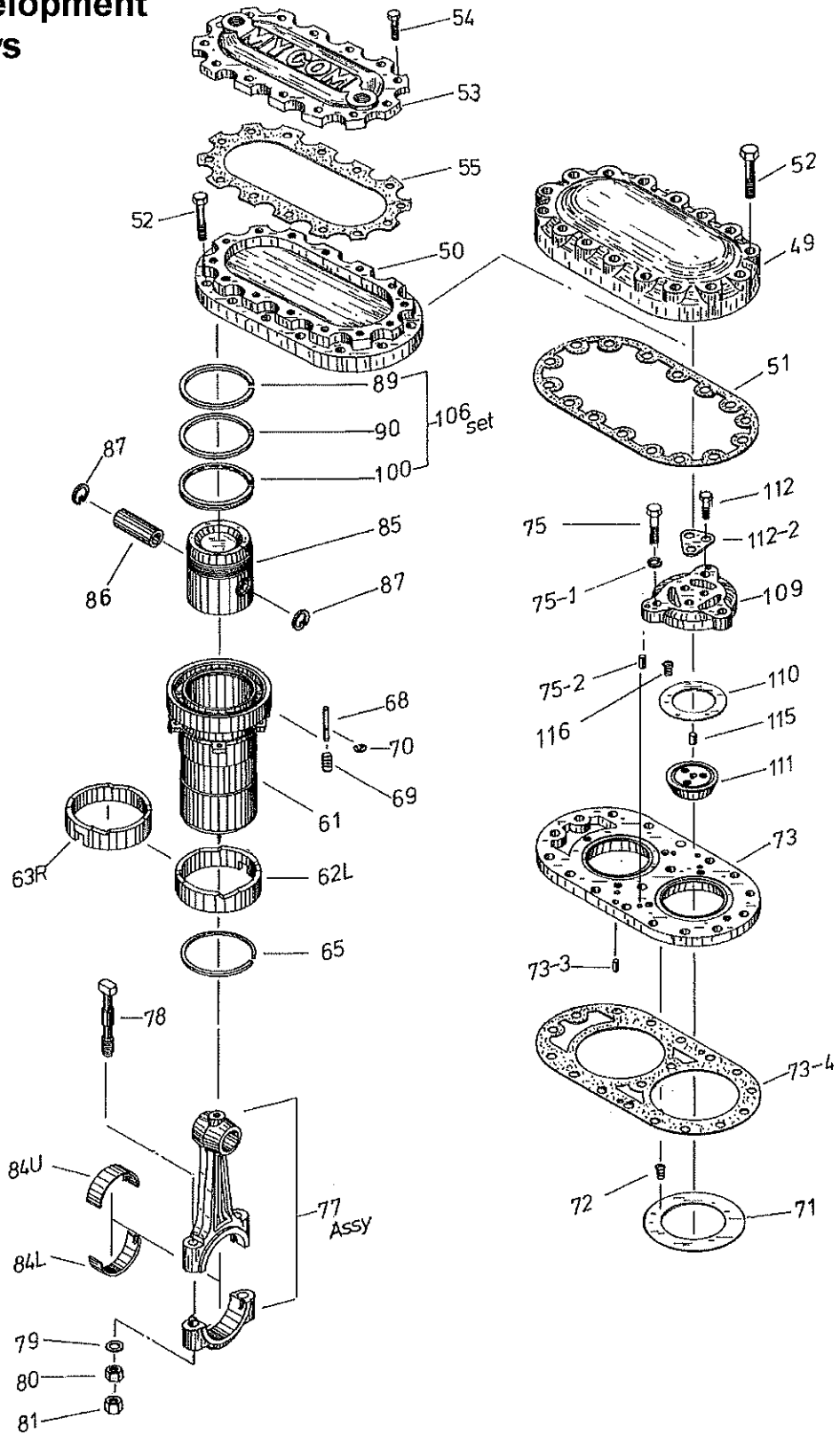


Figure 7-1 Development View around the Cylinder

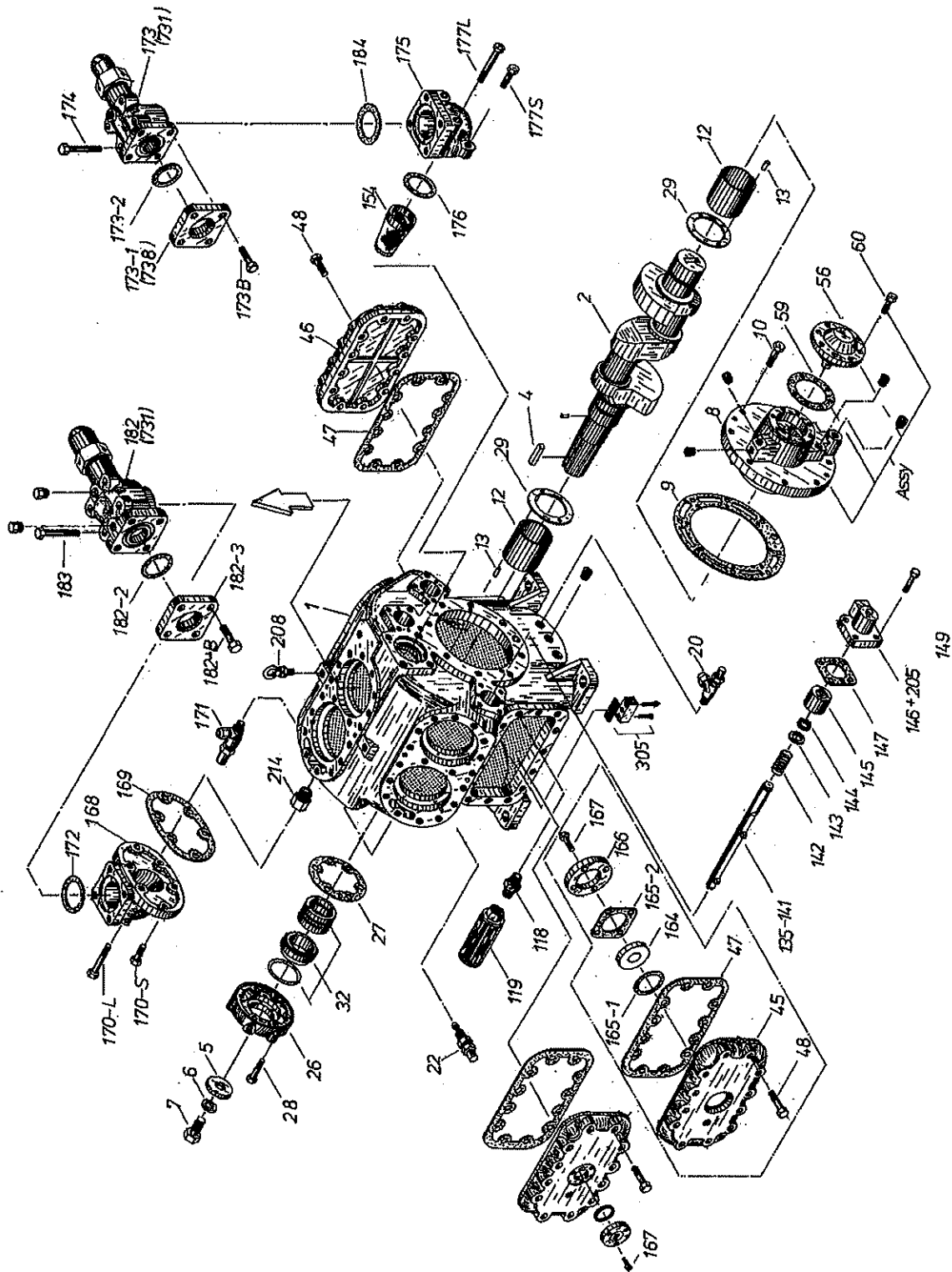


Figure 7-2 Development View around the Case (Representative View: 6K)

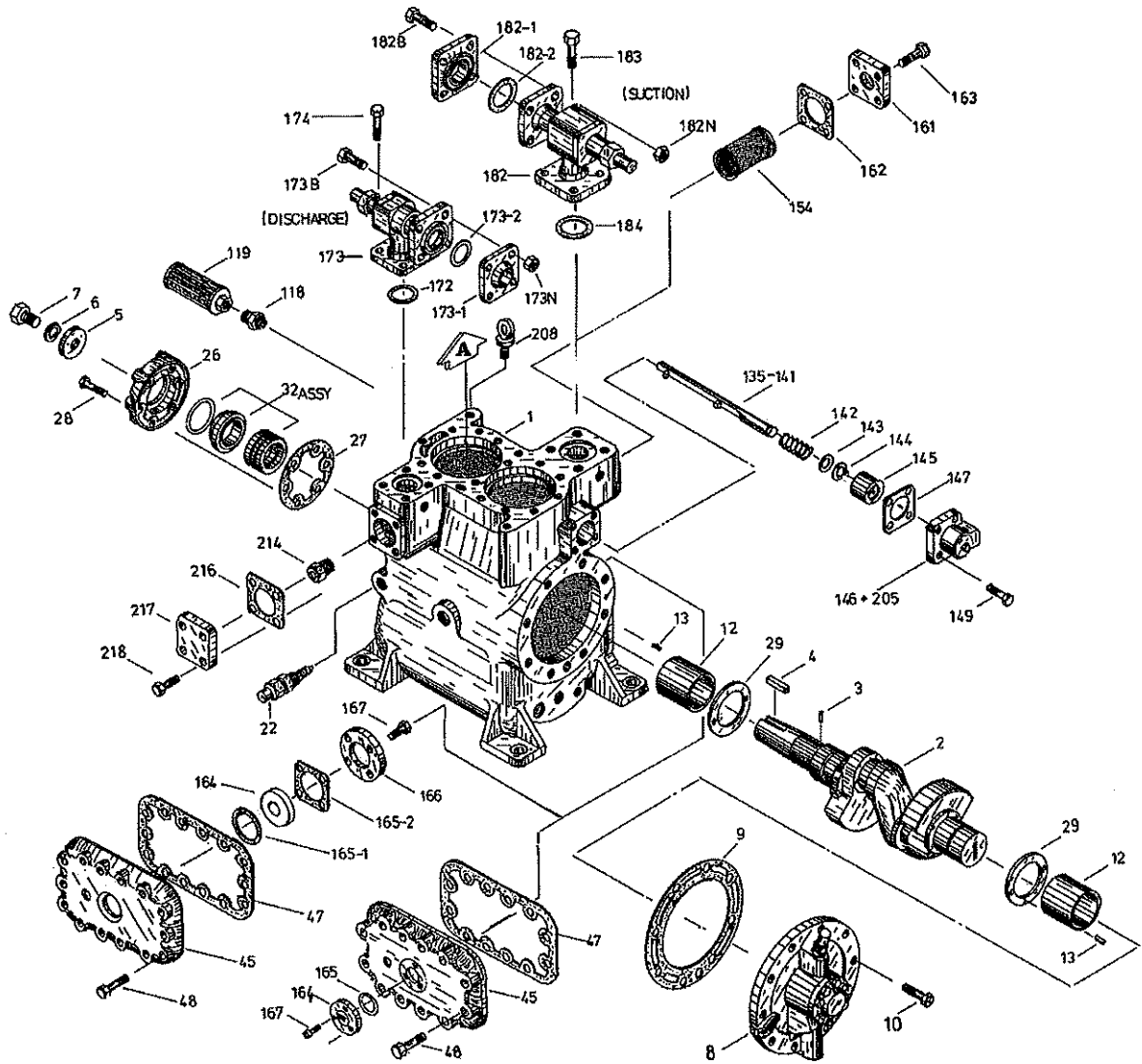


Figure 7-3 Development View around the Case (2K)

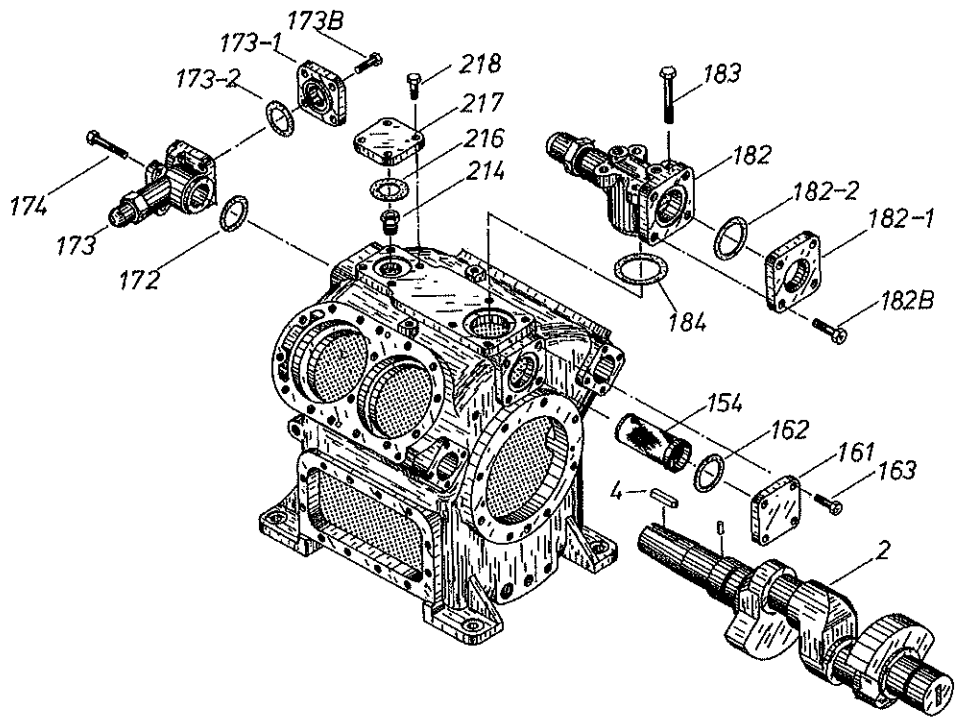


Figure 7-4 Development View around the Case (4K)

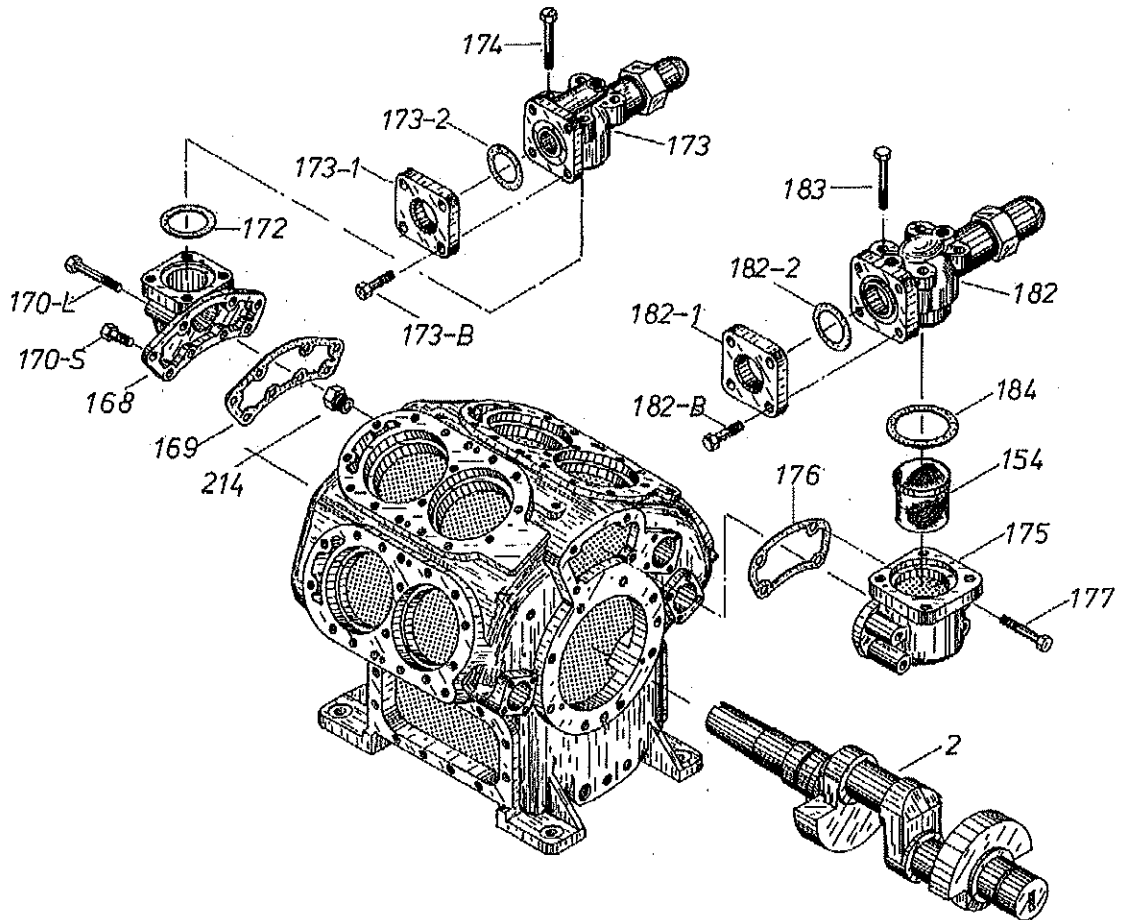


Figure 7-4 Development View around the Case (8K)

7.2 Parts Configuration Table

Table 7-1 Parts Configuration

P/N	Item Name	Item Code	Remarks	Q'ty			
				2K	4K	6K	8K
1	Crankcase	CR00100-K02	2K	1	-	-	-
1	Crankcase	CR00100-K04	4K	-	1	-	-
1	Crankcase	CR00100-K06	6K	-	-	1	-
1	Crankcase	CR00100-K08	8K	-	-	-	1
2	Crankshaft assembly (AL)	CR00209-ALK02	2K	1	-	-	-
2	Crankshaft assembly (AL)	CR00209-ALK04	4K	-	1	-	-
2	Crankshaft assembly (AL)	CR00209-ALK06	6K	-	-	1	-
2	Crankshaft assembly (AL)	CR00219-ALK08	8K	-	-	-	1
3	Spring pin, retainer drive	NE3203-008	Φ3×8	1	1	1	1
4	Pulley key C (same as model K)	CR00400-C	15×9.7×60 rounded at one end	1	1	1	1
5	Flat washer, pulley 60	CR00500-CK		1	1	1	1
6	Spring washer, pulley hub set bolt	ND320-020	M20	1	1	1	1
7	Hexagon head bolt, pulley hub	NB111020-050	M20×50	1	-	-	-
7	Hexagon head bolt, pulley hub	NB15520-050	M20×50	-	1	1	1
8	Bearing housing	CR00800-K	K with Oil pump	1	1	1	1
-	Bearing housing assembly with gasket	CR0089-K	K with gasket	1	1	1	1
9	Gasket, bearing housing	CR00900-K	K	1	1	1	1
10	Hexagon head bolt, bearing housing	NB111010-035	M10×35	8	-	-	-
10	Hexagon head bolt, bearing housing	NB15510-035	M10×35	-	8	8	8
12	Main bushing	CR01200-K	K	2	2	2	2
13	Main bearing screw (spring pin)	NE3204-008	Φ4×8 one side chamfered	4	4	4	4
22	Oil pressure regulating valve assembly	NL151-C	JO-6220	1	1	1	1
26	Shaft seal cover	CR77100-K	K	1	1	1	1
27	Gasket, shaft seal cover	CR77200-K	K	1	1	1	1
28	Hexagon head bolt, shaft seal cover	NB15508-035	M8×35	6	6	6	6
29	Thrust washer	CR02900-K	K	2	2	2	2
32	Mechanical seal assembly	CR03200-FK	(FKM)	-	-	-	-
32	Mechanical seal assembly	CR03200-NK	(NBR90)	-	-	-	-
32	Mechanical seal assembly	CR03200-KH	(HNBR)	1	1	1	1
45	Hand hole cover, with oil sight glass	CR04500-K01	K	-	1	1	1
46	Hand hole cover, without oil sight glass	CR04500-K02	K	1	1	1	1
47	Gasket, hand hole cover	CR04700-K	K	1	2	2	2
48	Hexagon head bolt, hand hole cover	NB15510-045	M10×45	12	24	24	24
49	Head cover	CR04900-K	K	1	2	3	4
50	Head cover (water cooled)	CR04900-KW	K	1	2	3	4
51	Gasket, head cover	CR05100-K	K	1	2	3	4
52	Hexagon head bolt, head cover	NB15510-045	M10×75	14	28	42	56
53	Head jacket cover (water cooled)	CR83202-K	K	1	2	3	4

P/N	Item Name	Item Code	Remarks	Q'ty			
				2K	4K	6K	8K
54	Hexagon head bolt, head jacket cover	NB15510-030	M10×30	14	28	42	56
55	Gasket, head jacket cover (water cooled)	CR05500-K	K	1	2	3	4
61	Cylinder sleeve	CR06100-K	K	2	4	6	8
61-1	Spring pin, cylinder sleeve	NE3203-008	Φ3×8	2	4	6	8
62	Cam ring (leftward sloped)	CR06200-KL		1	1	3	4
63	Cam ring (rightward sloped)	CR06200-KR		-	2	2	2
65	Retaining ring	CR06500-K	K	1	3	5	6
68	Lift pin	CR06800-K	Φ5×69.3	4	12	20	24
-	Lift pin set	CR0689-K	K 4pins/set	1	3	5	6
69	Spring, lift pin	CR06900-A	same as model A	4	12	20	24
70	Stop ring (E-ring), lift pin	NG13-E4	E4	4	12	20	24
71	Suction plate valve	CR07100-K	K	2	4	6	8
72	Spring, suction plate valve	CR11600-C	same as model C Cone-shaped type	8	16	24	32
72	Spring set, suction valve	CR0729-C	same as model C	2	4	6	8
73	Valve plate	CR07300-K	K/R	1	2	3	4
73	Valve plate	CR07300-NK	K/NH3	1	2	3	4
73-4	Gasket, valve plate	CR77800-K	K	1	2	3	4
73-1	Hexagon head bolt, valve plate	NB111010-025	M10×25	2	-	-	-
73-1	Hexagon head bolt, valve plate	NB15510-025	M10×25	-	4	6	8
73-3	Parallel pin, valve plate	NE2006-018	Φ6×18	2	4	6	8
75	Hexagon head bolt, discharge valve cage	NB111008-025	M8×25 -10.9	6	-	-	-
75	Hexagon head bolt, discharge valve cage	NB15508-025	M8×25	-	12	18	24
75-2	Parallel pin, discharge valve cage	NE2006-018	Φ6×18	4	8	12	16
77	Connecting rod assembly	CR07600-K	K	2	4	6	8
78	Hexagon head bolt, connecting rod	CR07800-K	K M10×81 Special	4	8	12	16
-	Hexagon head bolt set, connecting rod	CR0789-K	K	4	8	12	16
79	Washer, connecting rod	CR07900-K	K	4	8	12	16
80	Nut, connecting rod (No.1)	CR08000-K	K M10	4	8	12	16
81	Nut, connecting rod (No.2)	CR08000-K	K M10	4	8	12	16
84U/8 4L	Bearing halves	CR08400-K	K KP8-3 same as upper and lower	4	8	12	16
84	Bearing set (upper and lower)	CR0849-K	K	2	4	6	8
85	Piston	CR08500-ALKMH	AL K	2	4	6	8
86	Piston pin	CR08600-K	K Φ25×73	2	4	6	8
87	Lock spring, piston pin	NG11-025	H25	4	8	12	16
87	Lock spring se, piston pin	CR0879-C	same as model C	2	4	6	8
89	Piston ring (K, GA-P)	CR08900-KGAP	1st NH3	2	4	6	8
89	Piston ring (K, FC-P)	CR08900-KFCP	1st Freon	2	4	6	8
90	Piston ring (K, FC-P)	CR08900-KFCP	2nd	2	4	6	8
-	Piston ring (K, FC-PC-BFG1)	CR08900-KFCBFG1		-	-	-	-
-	Piston ring (K, FC-PC-BC3P)	CR08900-KFCBC3		-	-	-	-
106	Piston ring set	CR0899-K	K/R	2	4	6	8

P/N	Item Name	Item Code	Remarks	Q'ty			
				2K	4K	6K	8K
106	Piston ring set	CR0899-NK	K/NH3	2	4	6	8
108	Discharge plate valve assembly	CR10809-K	K/R	2	4	6	8
108	Discharge plate valve assembly	CR10809-KN	K/NH3	2	4	6	8
109	Discharge plate valve cage	CR10900-K	K/R	2	4	6	8
109	Discharge plate valve cage	CR10900-NK	K/NH3	2	4	6	8
110	Discharge plate valve	CR11000-K	K	2	4	6	8
111	Discharge valve seat	CR11100-K	K	2	4	6	8
112	Hexagon head bolt, discharge valve seat	NB15506-025	M6×25	6	12	18	24
112-2	Retainer (Turn stopper), hexagon head bolt for discharge valve seat	CR77900-K	K t=0.8	2	4	6	8
115	Parallel pin, discharge valve seat	NE2006-018	Φ6×18	2	4	6	8
116	Spring, discharge valve	CR11600-C	same as model C Corn -shaped type	12	24	36	48
-	Discharge valve and spring set	CR1169-C	same as model C	2	4	6	8
118	Hex head nipple	NF01-04	PT15A	1	1	1	1
119	Oil strainer (filter)	CR12300-C20	C #200	1	1	1	1
-	Oil strainer (filter) assembly	CR1239-C	C #200	1	1	1	1
135	Push rod, unloader device (1)	CR1350-K61	L=249	1	1	1	1
136	Push rod, unloader device (2)	CR1350-K62	L=273	-	1	1	1
137	Push rod, unloader device (3)	CR1350-K63	L=297	-	-	1	1
142	Spring, unloader device	CR14200-A	A	1	2	3	3
143	Washer, unloader push rod	CR14300-C	C 32×20×3	1	2	3	3
144	Stop ring, unloader push rod	NG12-020	S20	1	2	3	3
145	Unloader piston	CR14500-C	C	1	2	3	3
146+2 05	Cover, unloader piston built in solenoid valve	CR14600-K	K	1	2	3	3
147	Gasket, unloader cover	CR14700-K	K	1	2	3	3
149	Hexagon socket head cap screw, unloader piston cover	NB35408-035	M8×35	4	-	-	-
149	Hexagon head bolt, unloader piston cover	NB15508-035	M8×35	-	8	12	12
154	Suction filter	CR15400-K	6K	-	-	1	-
154	Suction filter	CR15400-K2	2K	1	-	-	-
154	Suction filter	CR15400-K4	4K	-	1	-	-
154	Suction filter	CR15400-K8	8K	-	-	-	1
161	Safety cover, Suction filter	CR76600-K04	4K	1	1	-	-
162	Gasket, suction filter cover	CR77000-K4	4K	1	1	-	-
163	Hexagon head bolt, suction filter cover	NB15510-035	M10×35	4	4	-	-
164	Oil sight glass	CR16400-K	K2-020-006	1	1	1	1
165	O-ring, oil sight glass	CR16400-HK	HK (K) CR	1	1	1	1
165-1	Gasket, oil sight glass	CR16500-01	K old type	-	1	1	1
165-2	Gasket, oil sight gland	CR16500-02	K old type	-	1	1	1
166	Gland, oil sight glass	CR16600-K	K old type	-	1	1	1
167	Hexagon socket head cap screw, oil sight glass	NB35406-015	M6×15	3	3	3	3

P/N	Item Name	Item Code	Remarks	Q'ty			
				2K	4K	6K	8K
167	Hexagon head bolt, oil sight gland	NB15508-025	M8×25 old type	-	4	4	4
168	Discharge elbow	CR16800-K06	6K	-	-	1	-
168	Discharge elbow	CR16807-K08	8K	-	-	-	1
169	Gasket, discharge elbow	CR16900-K	6K	-	-	1	-
169	Gasket, discharge elbow	CR16900-K08	8K	-	-	-	1
170L	Hexagon head bolt, discharge elbow (1)	NB15510-100	M10×100	-	-	2	2
170S	Hexagon head bolt, discharge elbow (2)	NB15510-045	M10×45	-	-	4	6
172	Gasket, discharge service valve	PL0021-025N	ATK25A (Compressor side)	1	-	-	-
172	Gasket, discharge service valve	CR73900-K040	40A	-	1	-	-
172	Gasket, discharge service valve	CR73900-K050	50A	-	-	1	-
172	Gasket, discharge service valve	CR73900-K065	65A	-	-	-	1
173	Service valve, discharge	-	RTK25A (ATK used before 2009)	1	-	-	-
173	Service valve, discharge	CR73120-040	SRV. 40A	-	1	-	-
173	Service valve, discharge	CR73100-K040N	40A NH3	-	1	-	-
173	Service valve, discharge	CR73120-050	SRV. 50A	-	-	1	-
173	Service valve, discharge	CR73100-K050N	50A NH3	-	-	1	-
173	Service valve, discharge	CR73120-065	SRV. 65A	-	-	-	1
173	Service valve, discharge	CR73100-K065N	65A NH3	-	-	-	1
173-1	Mating flange, discharge service valve	-	RTK25A (ATK used before 2009)	1	-	-	-
173-1	Mating flange, discharge service valve	CR73800-K040	K 40A	-	1	-	-
173-1	Mating flange, discharge service valve	CR73800-K050	K 50A	-	-	1	-
173-1	Mating flange, discharge service valve	CR73800-K065	K 65A	-	-	-	1
173-2	Gasket, discharge flange	PL0021-025N	ATK25A (until 2008)	1	-	-	-
173-2	Gasket, discharge flange	PL0022-025N	RTK25A (thereafter 2009)	1	-	-	-
173-2	Gasket, discharge flange	CR18200-K040	K 40A	-	1	-	-
173-2	Gasket, discharge flange	CR18200-K050	K 50A	-	-	1	-
173-2	Gasket, discharge flange	CR18200-K065	K 65A	-	-	-	1
173B	Hexagon head bolt, discharge service valve	NB15512-040	M12×40	-	4	-	-
173B	Hexagon head bolt, discharge flange	NB15512-055S	M12×55	4	-	-	-
173N	Hexagon nut, discharge flange	NC140-12	M12	4	-	-	-
173B	Hexagon head bolt, discharge service valve	NB15516-040	M16×40	-	-	4	4
174	Hexagon head bolt, discharge service valve	NB15512-035	M12×35	4	-	-	-
174	Hexagon head bolt, discharge service valve	NB15512-100	M12×100	-	4	-	-
174	Hexagon head bolt, discharge service valve	NB15516-100	M16×100	-	-	4	-
174	Hexagon head bolt, discharge service valve	NB15516-130	M16×130	-	-	-	4
175	Suction elbow	CR17500-K06	6K	-	-	1	-
175	Suction elbow	CR17500-K08	8K	-	-	-	1
176	Gasket, suction elbow	CR73900-065N	CSV-65	-	-	1	-

P/N	Item Name	Item Code	Remarks	Q'ty			
				2K	4K	6K	8K
176	Gasket, suction elbow	CR17600-K080	8K	-	-	-	1
177	Hexagon head bolt, suction elbow	NB15516-140	M16×140	-	-	4	-
177	Hexagon head bolt, suction elbow	NB15516-120	M16×120	-	-	-	4
182	Suction service valve 32A	-	RTK32A (ATK used before 2009)	1	-	-	-
182	Suction service valve 50A	CR73120-050	SRV. 50A	-	1	-	-
182	Suction service valve 50A	CR73100-K050N	50A NH ₃	-	1	-	-
182	Suction service valve 65A	CR73120-065	SRV. 65A	-	-	1	-
182	Suction service valve 65A	CR73100-K065N	65A NH ₃	-	-	1	-
182	Suction service valve 80A	CR73120-080	SRV. 80A	-	-	-	1
182	Suction service valve 80A	CR73100-K080N	80A NH ₃	-	-	-	1
182-1	Mating flange, suction service valve	-	RTK32A (ATK used before 2009)	1	-	-	-
182-1	Mating flange, suction service valve	CR73800-K050	K 50A	-	1	-	-
182-1	Mating flange, suction service valve	CR73800-K065	K 65A	-	-	1	-
182-1	Mating flange, suction service valve	CR73800-K080	K 80A	-	-	-	1
182-2	Gasket, suction service valve flange	PL0021-032N	ATK32A (until 2008)	1	-	-	-
182-2	Gasket, suction service valve flange	PL0022-032N	RTK32A (thereafter 2009)	1	-	-	-
182-2	Gasket, suction service valve flange	CR18200-K050	K 50A	-	1	-	-
182-2	Gasket, suction service valve flange	CR18200-K065	K 65A	-	-	1	-
182-2	Gasket, suction service valve flange	CR18200-K080	K 80A	-	-	-	1
182B	Hexagon head bolt, suction service valve flange	NB15516-045	M16×45	-	4	4	4
182B	Hexagon head bolt, suction service valve flange	NB15516-060S	M16×60	4	-	-	-
182B	Hexagon head bolt, suction service valve flange	NB15520-050	M20×50	-	-	-	4
182N	Hexagon nut	NC140-16	M16	4	4	4	4
182N	Hexagon nut	NC140-20	M20	-	-	-	4
183	Hexagon head bolt, suction service valve	NB15516-110	M16×110	-	4	-	-
183	Stud bolt, suction service valve	NB15516-140	M16×140	-	-	4	4
184	Gasket, suction service valve	PL0021-032N	ATK32A (Compressor side)	1	-	-	-
184	Gasket, suction service valve	CR73900-K050	K 50A	-	1	-	-
184	Gasket, suction service valve	CR73900-K065	K 65A	-	-	1	-
184	Gasket, suction service valve	CR73900-K080	K 80A	-	-	-	1
185	Oil cooler (water cooled)	CR18500-K	K	-	1	1	1
185	Oil cooler (water cooled)	CR18500-TAW	T-TCF0.15-0609P	1	-	-	-
185	Oil cooler (water cooled)	CR18500-TBW	T-TCF-0.25-0617P	-	-	-	-
-	Gasket, Oil cooler T-TCF cover A	CR18500-GA		1	-	-	-
-	Gasket, Oil cooler T-TCF cover B	CR18500-GB		1	-	-	-
205	Solenoid valve, unloader	KF711-XWM2	Spolan XWM 240V	-	2	3	3
208	Eyebolt	NB600-12	M12	2	2	2	2
214	Built-in safety valve	CR21400-K6	B566LD-300P	-	-	-	-
216	Gasket, built-in safety valve cover	CR21600-K04	4K	1	1	-	-

P/N	Item Name	Item Code	Remarks	Q'ty			
				2K	4K	6K	8K
217	Cover, built-in safety valve	CR76600-K04	4K	1	1	-	-
218	Hexagon head bolt, built-in safety valve cover	NB15510-040	M10×40	4	4	4	-
253 or 305	Gas equalizer	CR80700-01		1	2	2	2
254	Packing, gas equalizer	CR80800-01	t=1	1	2	2	2
253B	Hexagon head bolt, gas equalizer	NB12006-030	M6×30	2	4	4	4
253W	Fastening washer, gas equalizer	ND422-06B	M6	2	4	4	4
-	Cartridge heater	LF1204-220	MKCP-2204	-	-	-	-
-	V-pulley (flywheel)	CR70700-K06	Type 6K	-	-	-	-
-	Gasket set, F2K	CR7117-F2K		-	-	-	-
-	Gasket set, F4K	CR7117-F4K		-	-	-	-
-	Gasket set, F6K	CR7117-F6K		-	-	-	-
-	Gasket set, F8K	CR7117-F8K		-	-	-	-
-	Gasket set, N2K	CR7117-N4K		-	-	-	-
-	Gasket set, N4K	CR7117-N4K		-	-	-	-
-	Gasket set, N6K	CR7117-N6K		-	-	-	-
-	Gasket set, N8K	CR7117-N8K		-	-	-	-
-	Gasket, oval flange	CR71900-1	HF20	-	-	-	-
-	Indentation tools for main bushing	CR70300-K	K	-	-	-	-
-	Disassembling tool set	CR70400-K	K	-	-	-	-