


# Plastic Cam Followers

## Press Fit

■ **Features:** Plastic is pressed onto the outer ring of the cam follower.

■ **R**

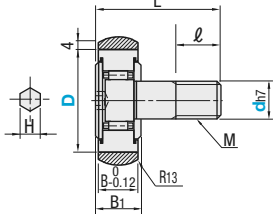


RoHS

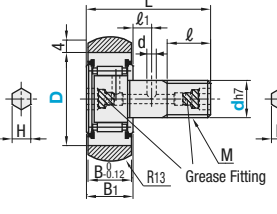
Type		Seal	Material		Accessory
(d5 - 10) Hex Socket on Head	(d12, 16) Hex Socket on Head and Thread		Plastic	Cam Followers	
CFFRUUS	CFRUH	Provided	MC Nylon	EN 1.3505 Equiv. Hex Nut (EN 1.1191 Equiv. Carbon Steel, Black Oxide)	Hex Nut 1 pc. (EN 1.4301 Equiv.)
CFFRUSS	CFRUSH			EN 1.4125 Equiv.	

⚠ Operating Temperature 50°C or less (Reference)

■ (d5 - 10) Hex Socket on Head



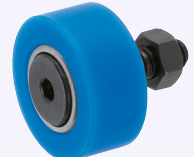
■ (d12, 16) Hex Socket on Head and Thread



Part Number	Type	D Selectable	MxPitch	B	B <sub>1</sub>	L	d	l	l <sub>1</sub>	H	Allowable Load (N)	Allowable Rotational Speed (rpm)	Mass (g)	Unit Price		
														CFFRUUS	CFFRUSS	CFRUH
(Hex Socket on Head) CFFRUUS CFFRUSS	5	0	13	5x0.8	9	10	23	7.5	-	3	88	2520	13	-	-	-
	6	-0.012	16	6x1.0	11	12	28	9	-	4	112	2210	22	-	-	-
	8	0	19	8x1.25	12	13	32	11	-	5	122	1960	33	-	-	-
	10	-0.015	22	10x1.25	12	13	36	13	-	6	120	1760	50	-	-	-
(Hex Socket on Head and Thread) CFRUH CFRUSH	12	0	30	12x1.5	14	15	40	3	14	6	156	1390	95	-	-	-
	16	-0.018	32	16x1.5	18	19.5	52	18	8	6	150	1320	113	-	-	-
	16	0	35	16x1.5	18	19.5	52	18	8	6	192	1230	181	-	-	-

- ⚠ Values of allowable load are values when speed = 10km/h.
- ⚠ For Standard Type, resin expands and may come off easily in high temperature. Avoid storing in high temperature.
- ⚠ For Hex Socket on Head, no grease replenishing hole is provided.
- ⚠ The standards of d12, 16 has been modified to those with the hex socket on the head and thread.

■ **Flat**

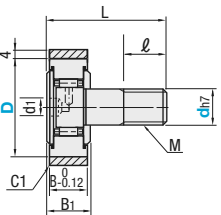


RoHS

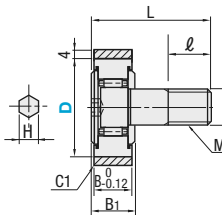
Type		Seal	Material		Accessory
(d5-10) Straight Slot	(d5-10) Hex Socket on Head		Plastic	Cam Followers	
CFFRUC	CFFRUCS	Provided	MC Nylon	EN 1.3505 Equiv. Hex Nut (EN 1.1191 Equiv. Carbon Steel, Black Oxide)	Hex Nut 1 pc. (EN 1.4301 Equiv.)
-	CFFRUSS			EN 1.4125 Equiv.	

⚠ Operating Temperature 50°C or less (Reference)

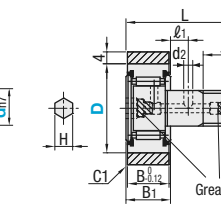
■ (d5 - 10) Straight Slot



■ (d5 - 10) Hex Socket on Head



■ (d12, 16) Hex Socket on Head and Thread



Part Number	Type	D Selectable	MxPitch	B	B <sub>1</sub>	L	d <sub>1</sub>	d <sub>2</sub>	l	l <sub>1</sub>	H	Allowable Load (N)	Allowable Rotational Speed (rpm)	Mass (g)	Unit Price		
															CFFRUC	CFFRUCS	CFFRUSS
(Straight Slot) CFFRUC	5	0	13	5x0.8	9	10	23	3.1	7.5	-	3	88	2520	13	-	-	-
	6	-0.012	16	6x1.0	11	12	28	4	9	-	4	112	2210	22	-	-	-
	8	0	19	8x1.25	12	13	32	11	-	5	122	1960	33	-	-	-	-
	10	-0.015	22	10x1.25	12	13	36	13	-	6	120	1760	50	-	-	-	-
(Hex Socket on Head and Thread) CFRUH CFRUSH	12	0	30	12x1.5	14	15	40	3	14	6	6	156	1390	95	-	-	-
	16	-0.018	32	16x1.5	18	19.5	52	18	8	6	150	1320	113	-	-	-	-
	16	0	35	16x1.5	18	19.5	52	18	8	6	192	1230	181	-	-	-	-

- ⚠ Values of allowable load are values when speed = 10km/h.
- ⚠ For Standard Type, resin expands and may come off easily in high temperature. Avoid storing in high temperature.
- ⚠ For Straight Slot, grease hole is provided on the head only. For Hex Socket on Head, no grease replenishing hole is provided.
- ⚠ The standards of d12, 16 has been modified to those with the hex socket on the head and thread.

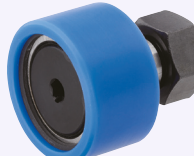
Ordering Example: Part Number - D  
CFFRUC12 - 32

# Plastic Cam Followers

## Retaining Ring

■ **Features:** After plastic is press-fit into the outer ring of cam follower, the sleeve is retained by retaining ring.

■ **Flat**

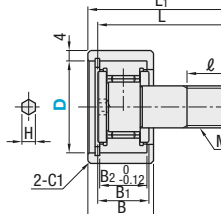


RoHS

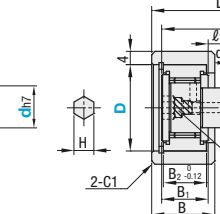
Type		Seal	Material		Accessory
(d8, 10) Hex Socket on Head	(d12, 16) Hex Socket on Head and Thread		Plastic	Cam Followers	
CFFRUCT	CFFUHW	Provided	MC Nylon	EN 1.3505 Equiv. Hex Nut (EN 1.1191 Equiv. Carbon Steel, Black Oxide)	Hex Nut 1 pc. (EN 1.4301 Equiv.)
CFFRUCTS	CFFUSHW			EN 1.4125 Equiv.	

⚠ Operating Temperature 80°C or less

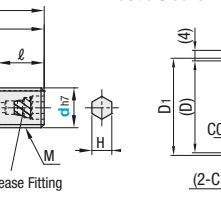
■ (d8, 10) Hex Socket on Head



■ (d12, 16) Hex Socket on Head and Thread



(Reference) Plastic Sleeve



Part Number	Type	D Selectable	MxPitch	l	B	B <sub>1</sub>	B <sub>2</sub>	B <sub>3</sub>	B <sub>4</sub>	D <sub>1</sub> Tolerance	D <sub>2</sub>	L	L <sub>1</sub>	d <sub>1</sub>	d <sub>2</sub>	l <sub>1</sub>	H	Allowable Load (N)	Allowable Rotational Speed (rpm)	Mass (g)	Unit Price		
																					CFFRUCT	CFFRUCTS	CFFUHW
(Hex Socket on Head) CFFRUCT CFFRUCTS	8	0	19	8x1.25	11	17	12	11	3.5	1.1	20	+0.15	16	32	35	4	518	1960	35	-	-	-	
	10	-0.015	22	10x1.25	13	18	13	12	3.5	0	23	0	18	36	39	5	594	1760	53	-	-	-	
	10	0	26	10x1.25	13	18	13	12	3.5	+0.08	27.2	+0.2	23.5	40	44	6	637	1560	71	-	-	-	
(Hex Socket on Head and Thread) CFFUHW CFFUSHW	12	0	30	12x1.5	14	21	15	14	4.5	1.3	31.4	+0.25	28.5	52	56.75	8	499	1390	100	-	-	-	
	16	-0.018	32	16x1.5	18	26	19.5	18	5.5	1.6	33.7	0	28.5	52	56.75	8	513	1320	119	-	-	-	
	16	0	35	16x1.5	18	26	19.5	18	5.5	+0.10	37	0	28.5	52	56.75	8	686	1230	187	-	-	-	

- ⚠ Values of allowable load are values when speed = 10km/h.
- ⚠ For Hex Socket on Head, no grease replenishing hole is provided.
- ⚠ The standards of d12, 16 has been modified to those with the hex socket on the head and thread.

Ordering Example: Part Number - D  
CFFRUCT10 - 26

Part Number Substitution Table for Cam Follower Standard Changes (d12, 16)

Type	Old Part Number (d12, 16)		New Part Number (d12, 16)
	Old Standard	Old Hex Socket	Hex Socket on Head and Thread
Plastic	CFFRUC	CFFRUCS	CFFUHW
	-	CFFRUCS	CFFUHW
	-	CFFRUCS	CFFUHW
	-	CFFRUCSS	CFFUSHW
	-	CFFRUCSS	CFFUSHW
	-	CFFRUCS	CFFUSHW

■ **Plastic Cam Followers - Plastic Sleeve Retention Test**  
 Test data when a load is applied from the upper part of the cam follower at a constant speed.  
 Loads when the plastic sleeves came off more than 0.5mm are shown. Travel distance is (speed ≤ 4.5km/h) = 1km, (speed > 4.5km/h) = 2km.

⚠ Load beyond limit, rotary speed and unbalanced load may cause a plastic sleeve to come off.  
 \* Data below are for reference, not guaranteed.

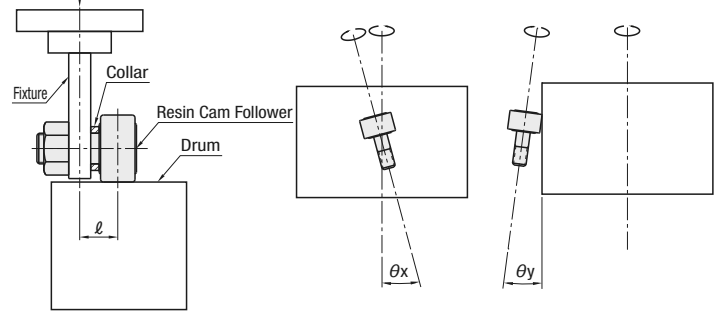
■ **Press Fitting Load** Room Temperature 21°C θx=0°, θy=0° Unit: (N)

Type	d	D Selectable	l	Speed km/h					
				1.8	3.6	4.5	5	6	10
CFFRUC CFFRUCS CFFRUCSS CFFRUUS CFFRUSS	5	13	9	250	250	225	190	125	125
	6	16	11.5	300	300	250	220	180	160
	8	19	11.7	330	310	275	240	180	175
	10	22	14	350	325	300	265	195	185
	12	30	17.8	400	380	350	300	210	193
	16	35	20.5	450	420	400	320	260	240

■ **Retaining Ring type Load** Unit: (N)

Type	d	D	l	Speed km/h
				10
CFFRUCT CFFRUCTS	8	19	14.2	576
	10	22	16.5	660
	10	26	16.5	708
	12	30	20.3	588
	12	32	20.3	604
	16	35	23	808

■ **Testing Method Overview** Load ⚠ Inclination of Plastic Cam Followers should be 0.



■ **[Material Properties]**

Item	Urethane	MC Nylon
Allowable Load	△	○
Abrasion Resistance	○	△
Mechanical Strength	○	△
Heat Resistance	X	○
Chemical Resistance	X	○

⚠ For Urethane Cam Followers, P:1051.