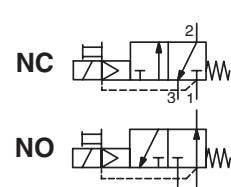


POPPET VALVES

solenoid air operated
single solenoid (monostable function)
pad mounting body, 1/4 - 3/8 subbases



3/2
Series
261-262
Type
DM

FEATURES

- CNOMO pad-mount version for valve piloting applications
- Flexible installation on joinable subbases
- The solenoid air poppet valves satisfy all relevant EU directives

GENERAL

Operating pressure
Pilot pressure

2 - 10 bar [1 bar = 100 kPa]
In external supply, the pilot pressure must be equal to or greater than the pressure in the valve

fluids (*)	temperature range (TS)	seal materials (*)
air, inert gas, lubricated or not	- 10°C to + 60°C	NBR (nitrile) PUR (polyurethane)

MATERIALS IN CONTACT WITH FLUID

(*) Ensure that the compatibility of the fluids in contact with the materials is verified

	Poppet valves	189/190 pilots
Body	Light alloy, treated	PA, glass-filled
Disc	PUR	NBR
Core, core tube and plugnut	-	Stainless steel
Internal parts, springs	Steel, light alloy, POM	Stainless steel
Seals	NBR	NBR
Shading coil	-	Copper

CONSTRUCTION

Mounting pad (189/190 pilots) ISO 15218 (CNOMO 06-05-80 / NF E 49066, size 30)
(subbases) CNOMO 05-05-81/05-05-82 / NF E 49066

ELECTRICAL CHARACTERISTICS (PILOTS)

Coil insulation class F
Connector 189 pilot Spade plug (cable Ø 6-8 mm)
190 pilot Spade plug (cable Ø 6-10 mm)

Connector specification

189 pilot EN 175301-803, industry standard form B (11 mm)
190 pilot ISO 4400 / EN 175301-803, form A

Electrical safety

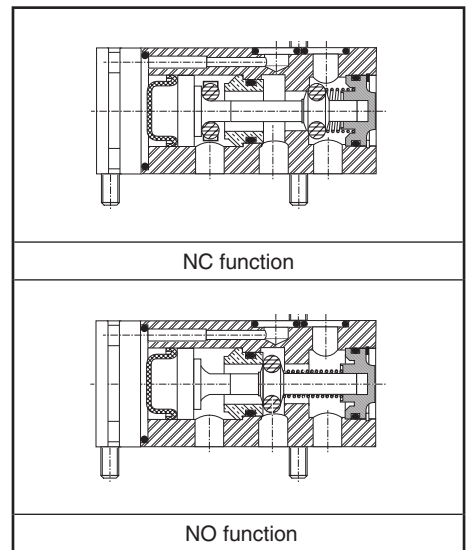
Electrical enclosure protection Moulded IP65 (EN 60529)

Standard voltages

(Other voltages and 60 Hz on request)
DC (=): 24V - 48V
AC (~): 24V - 48V - 115V - 230V / 50 Hz

pilot	power ratings				operator ambient temperature range (TS) (C°)	replacement coil		type ⁽¹⁾
	inrush	holding	hot/cold			~	=	
	(VA)	(VA)	(W)	(W)				
189	6	3,5	2,5	2,5 / 3	-10 to + 60	43004422	43004166	01..04
190	9	4	3	3 / 3	-10 to + 60	43004472	43004473	

⁽¹⁾ Refer to the dimensional drawings on the following page.



SPECIFICATIONS

pipe size	orifice size	flow at 6,3 bar	flow coefficient Kv	operating pressure (bar)		catalogue number (2 catalogue numbers)		power coil (pilot) (W)	reference		
				min.	max. (PS)	poppet valve (without pilot) +	pilot (with connector) ~/=				
					air (*)						
(G)	(mm)	l/min (ANR)	(l/min)		~	=					
NC - Normally closed											
pad mounting ⁽²⁾	1/4	8	700	10	2	10	26190067	18900001 19000005	2,5 3	3 3	G/DMP 301/O
	3/8	12	1750	25	2	10	26290352	19000006 19000017	3 3	3 3	G/DMP 302/O
NO - Normally open											
pad mounting ⁽²⁾	1/4	8	700	10	2	10	26190068	18900001 19000005	2,5 3	3 3	G/DMP 301/F
	3/8	12	1750	25	2	10	26290353	19000006 19000017	3 3	3 3	G/DMP 302/F

SUBBASES

pipe size	designation	composition	catalogue number
Zamak subbases			
tapped (G) ⁽³⁾	1/4	laterally-connected single subbase (3 connectable lateral ports)	35300049
	3/8	laterally-connected joinable subbase (3 connectable lateral ports)	35300057
		laterally-connected single subbase (3 connectable lateral ports)	35700002
		laterally-connected joinable subbase (3 connectable lateral ports)	35700010

⁽²⁾ Port 3: M5 (189/190 pilots).

⁽³⁾ The subbases can be mounted on omega rail to EN 50022 using 2 clips (clips sold in packs of 10, catalogue number: 33400036).

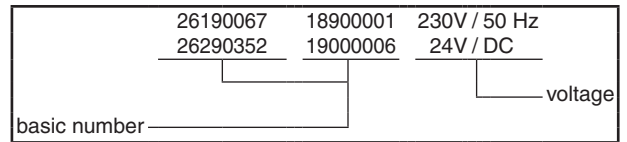
OPTIONS

- Explosionproof enclosures for use in zones 1/21-2/22, categories 2-3 to ATEX Directive 2014/34/EU (see "Explosionproof solenoids" section): Ex mb (PV), PV18901001 / PV19000005/6/17 / Potentially explosive atmospheres (SG), zone 22
- External solenoid valve supply plate, catalogue number: 88122201 (1/8)
- Plug with visual indication and peak voltage suppression or with cable length of 2 m (see Solenoids, Coils & Accessories section)

INSTALLATION

- The solenoid valves can be mounted in any position without affecting operation
- Mounting on single or joinable subbases
- ATEX 2014/34/EU versions (options "SG" and "PV") can be installed on single (all versions) or joinable zinc diecast subbases
- Pipe connections (G) have standard thread according to ISO 228/1
- Installation/maintenance instructions are included with each valve

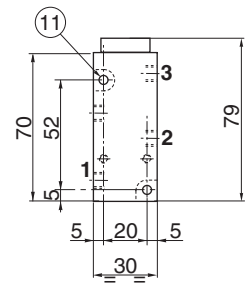
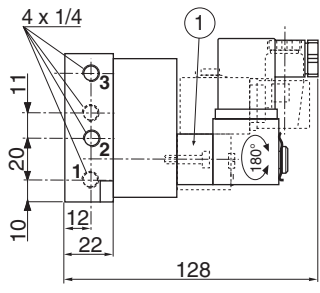
ORDERING EXAMPLES:



DIMENSIONS (mm), WEIGHT (kg)

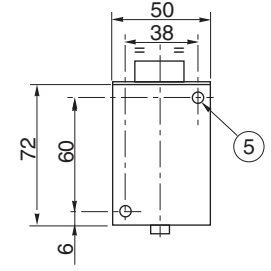
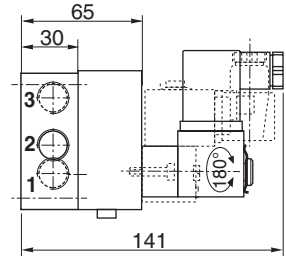
TYPE 01
Single subbase
1/4 - Zamak

35300049



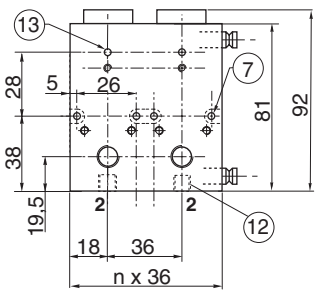
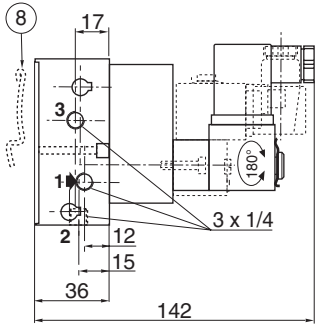
TYPE 02
Single subbase
3/8 - Zamak

35700002



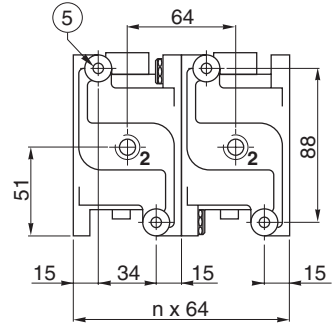
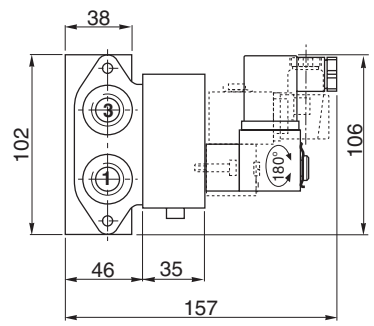
TYPE 03
Joinable subbase
1/4 - Zamak

35300057



TYPE 04
Joinable subbase
3/8 - Zamak

35700010



type	weight
01	0,45
02	0,80
03	0,50
04	0,80

- ① Manual operator location
- ⑦ Mounting: two dia. 4,5 mm securing holes
- ⑧ Adaptable clips
- ⑪ Mounting: two dia. 4,5 mm securing holes, dia. 8 mm counter-bores, depth 6 mm
- ⑫ Port 2: Accessible by removing cap
- ⑬ Mounting: two dia. 4,5 mm securing holes, dia. 7,5 mm counter-bores, depth 6 mm