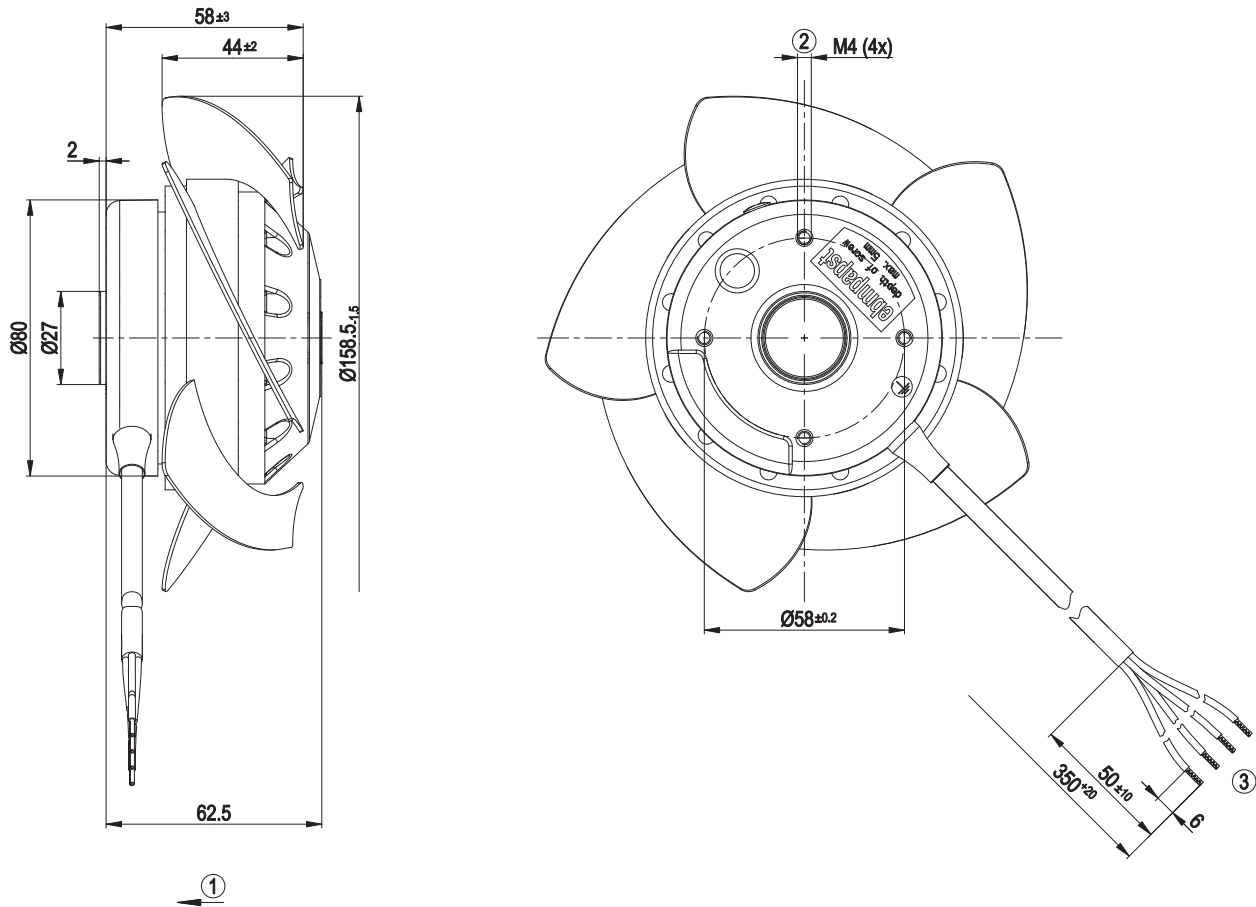


AC axial fan

straight blades (A series), single inlet

Product drawing



1	Direction of air flow "V"
2	Thread reach max. 5 mm
3	Connection line PFA AWG18, 1x lead tip crimped, connection line PFA AWG20, 3x lead tips crimped

