

DC104*Magnetic Contact Surface Mount, Biased, Screw terminal****Easy Installation***

Aritech DC102 series is ideal for residential and commercial applications where terminal connections are preferred. The unit features positive clamping terminals with anti-rotation lugs and captured screws with combination heads. These features allow for easy, quick installations.

Comprehensive Range

The range includes wide gap, SPDT and biased version for higher security. This makes it one of the most popular contacts available in the industry today.

***Standard Features***

- **Ideal for residential and commercial**
- **Superior quality**
- **Convenient surface mounting**
- **Versions with built-in resistors available**

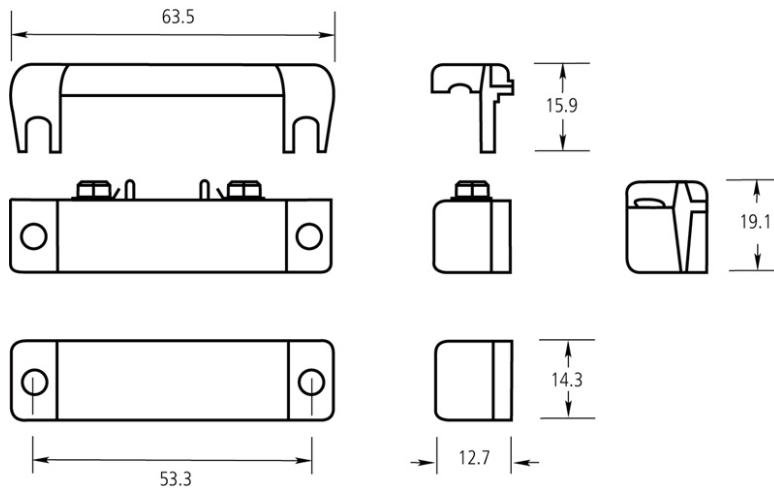


DC104

Magnetic Contact Surface Mount, Biased, Screw terminal

Specifications

	Biased for high security
Operating gap	9 mm (min); 31 mm (max)
Connections	Screw
Contact type	CO
Dimensions (L x H x D)	63.5 x 12.7 x 19.1 mm
Colour	Beige (add "B" for brown)



Ordering Information

Part No.	Description
DC104	Magnetic Contact surface mount, Biased, Screw terminal
DC104S1	Magnetic Contact surface mount, Biased, Screw terminal, ANPI
DC1906T	Spacer for DC102, DC123, DC137, DC104
DC1906TM	Spacer for DC102, DC123, DC137, DC104 - Brown
DC193	L Bracket for DC102, DC104, DC123, DC137



www.gesecurity.net

As a company of innovation, GE Security reserves the right to change product specifications without notice. For the latest product specifications, visit GE Security online or contact your GE Security sales representative.